

DEWALT®

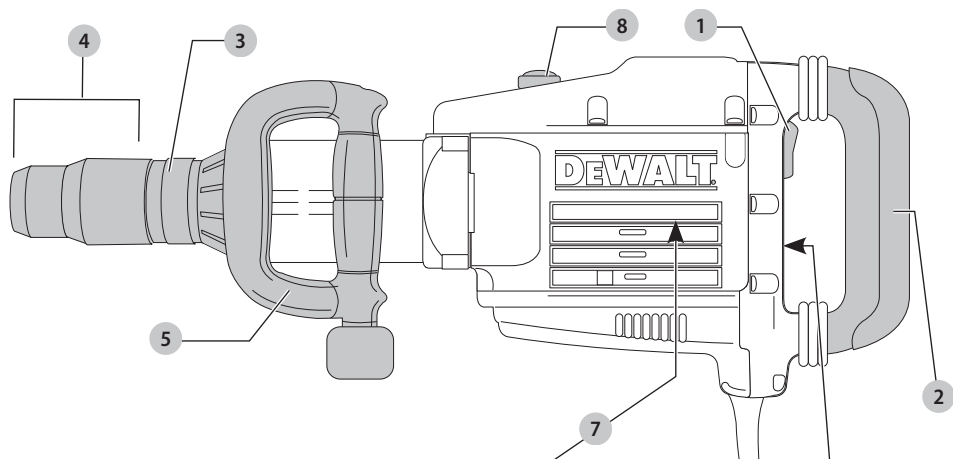
UK

Переклад оригінальних інструкцій

D25902

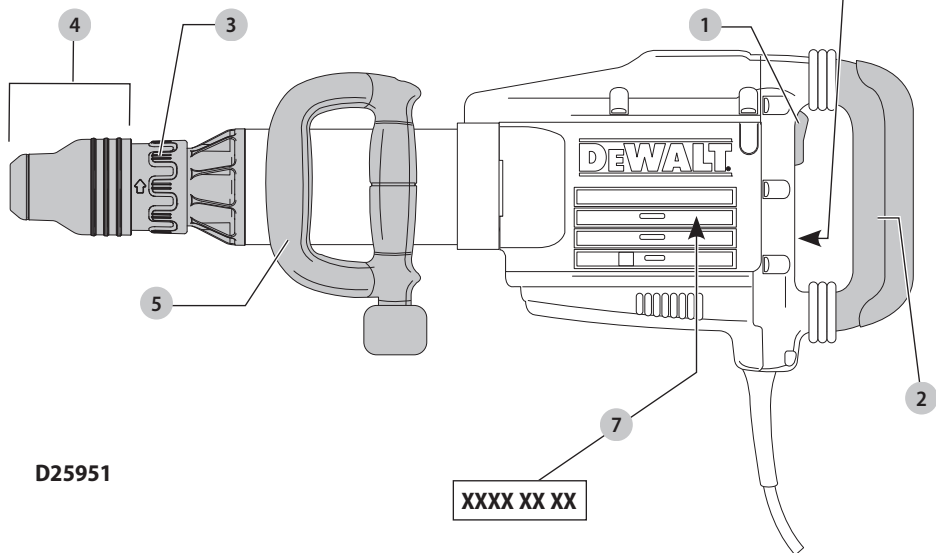
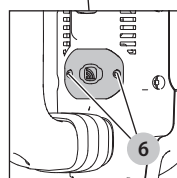
D25951

English	(original instructions)	7
Українська	(переклад оригінальних інструкцій)	13



D25902

XXXX XX XX



D25951

XXXX XX XX

Fig. / Рис. B

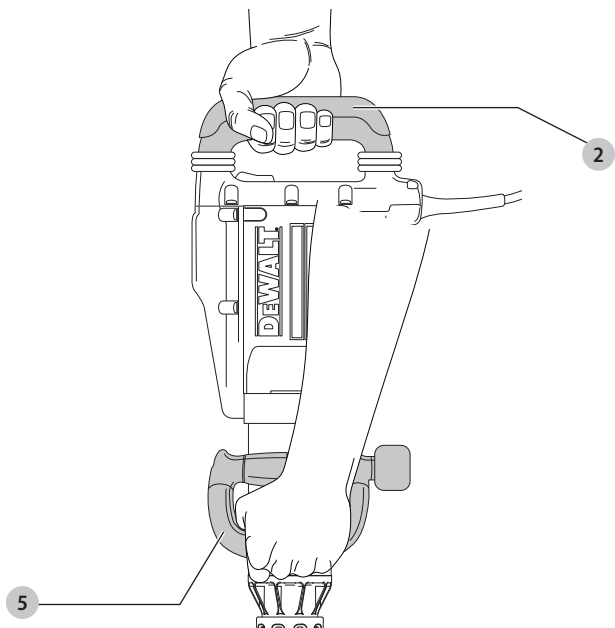


Fig. / Рис. C

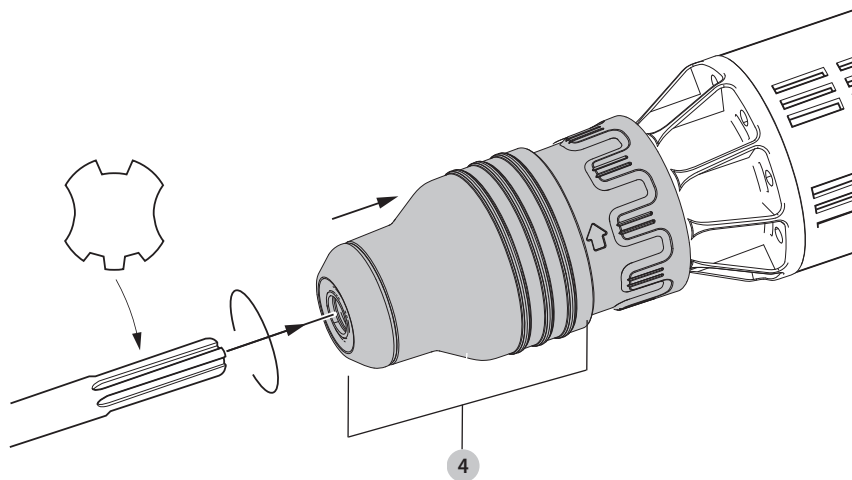


Fig. / Рис. D

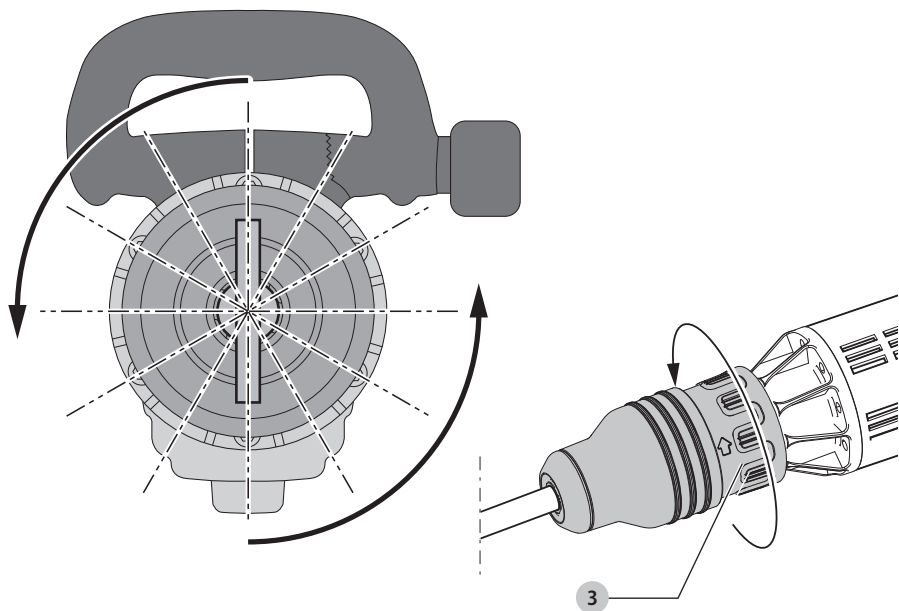
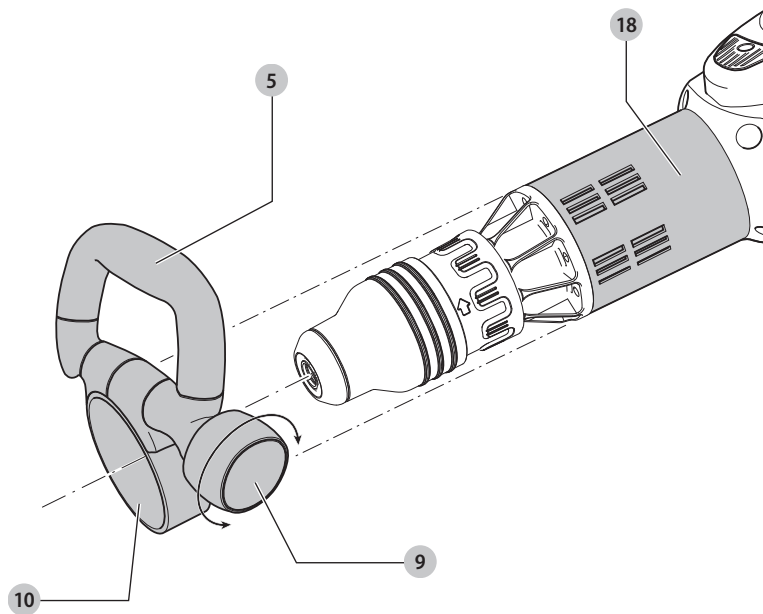
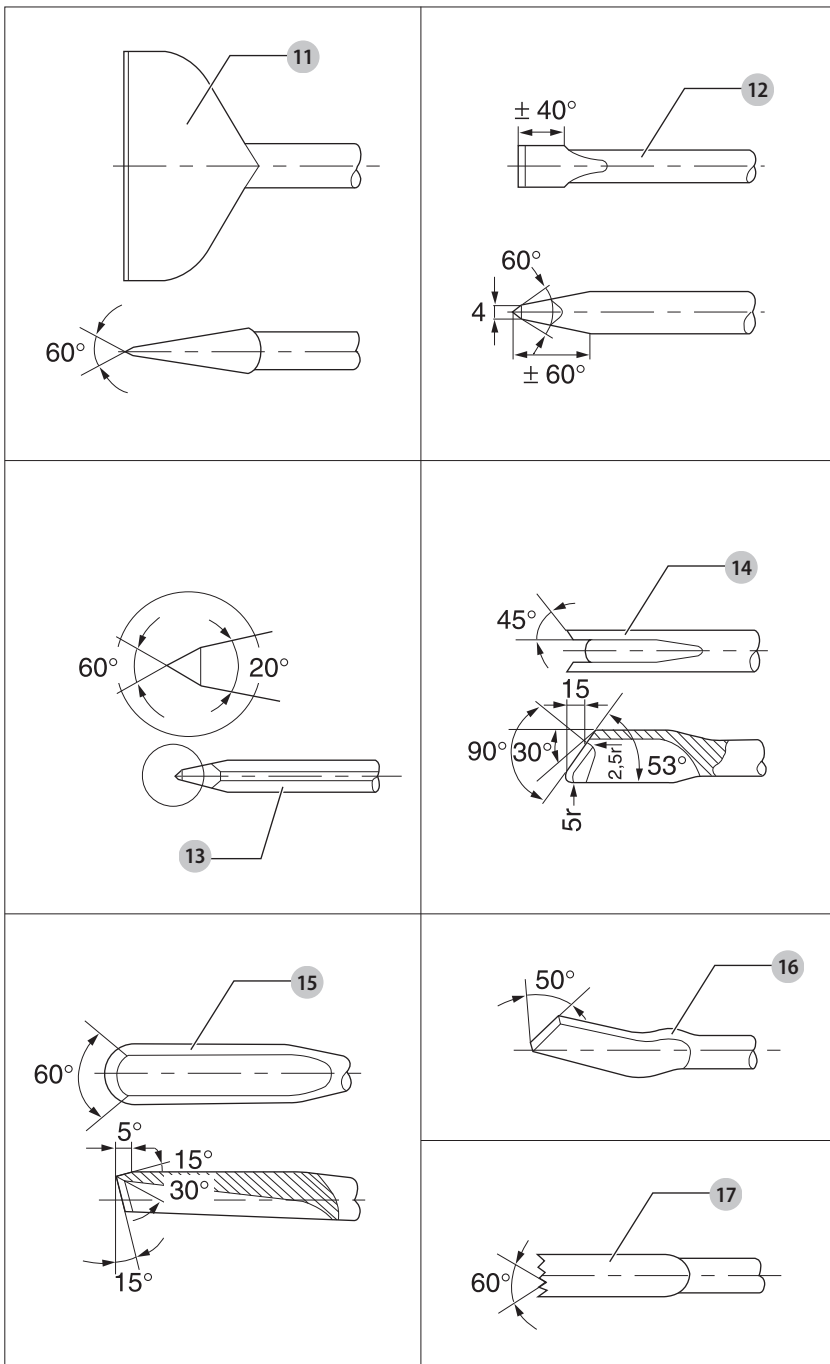


Fig. / Рис. E





DEMOLITION HAMMER

D25902, D25951

Congratulations!

You have chosen a DEWALT tool. Years of experience, thorough product development and innovation make DEWALT one of the most reliable partners for professional power tool users.

Technical Data

		D25902	D25951
Voltage	V _{AC}	230	230
UK & Ireland	V _{AC}	230/115	230/115
Type		1	1
Frequency	Hz	50	50
Power output	W	1550	1600
Impact rate	min ⁻¹	1050–2100	1620
Single impact energy (EPTA 05/2009)	J	19	24
Tool holder		SDS MAX	SDS MAX
Chisel positions		12	12
Weight	kg	10.5	13.3
Noise values and vibration values (triax vector sum) according to EN60745-2-6:			
L _{PA} (emission sound pressure level)	dB(A)	89	90
L _{WA} (sound power level)	dB(A)	100	101
K (uncertainty for the given sound level)	dB(A)	3	2
Chiselling			
Vibration emission value a _{h,Cheq} =	m/s ²	7.5	8.8
Uncertainty K =	m/s ²	1.5	1.5

The vibration emission level given in this information sheet has been measured in accordance with a standardised test given in EN60745 and may be used to compare one tool with another. It may be used for a preliminary assessment of exposure.

WARNING: The declared vibration emission level represents the main applications of the tool. However if the tool is used for different applications, with different accessories or poorly maintained, the vibration emission may differ. This may significantly increase the exposure level over the total working period.

An estimation of the level of exposure to vibration should also take into account the times when the tool is switched off or when it is running but not actually doing the job. This may significantly reduce the exposure level over the total working period.

Identify additional safety measures to protect the operator from the effects of vibration such as: maintain the tool and the accessories, keep the hands warm, organisation of work patterns.

EC-Declaration of Conformity

Machinery Directive



Demolition Hammer D25902, D25951

DEWALT declares that these products described under **Technical Data** are in compliance with:

2006/42/EC, EN60745-1:2009+A11:2010, EN60745-2-6:2010.

2000/14/EC, Electrical concrete breaker (hand-held), m ≤ 15 kg, Annex VIII, TÜV Rheinland LGA Products GmbH (0197), D-90431 Nürnberg, Germany, Notified Body ID No.: 0197

Level of sound power according to 2000/14/EC (Article 12, Annex III, No. 10; m ≤ 15 kg):

L_{WA} (measured sound power level)

D25902 dB(A) 100

D25951 dB(A) 101

L_{WA} (guaranteed sound power level)

D25902 dB(A) 105

D25951 dB(A) 103

These products also comply with Directive 2014/30/EU and 2011/65/EU. For more information, please contact DEWALT at the following address or refer to the back of the manual.

The undersigned is responsible for compilation of the technical file and makes this declaration on behalf of DEWALT.

Markus Rompel
Director Engineering
DEWALT, Richard-Klinger-Straße 11,
D-65510, Idstein, Germany
03.01.2018



WARNING: To reduce the risk of injury, read the instruction manual.

Definitions: Safety Guidelines

The definitions below describe the level of severity for each signal word. Please read the manual and pay attention to these symbols.



DANGER: Indicates an imminently hazardous situation which, if not avoided, **will** result in **death or serious injury**.



WARNING: Indicates a potentially hazardous situation which, if not avoided, **could** result in **death or serious injury**.



CAUTION: Indicates a potentially hazardous situation which, if not avoided, **may** result in **minor or moderate injury**.

NOTICE: Indicates a practice **not related to personal injury** which, if not avoided, **may** result in **property damage**.



Denotes risk of electric shock.



Denotes risk of fire.

General Power Tool Safety Warnings



WARNING: Read all safety warnings, instructions, illustrations and specifications provided with this power tool. Failure to follow all instructions listed below may result in electric shock, fire and/or serious injury.

SAVE ALL WARNINGS AND INSTRUCTIONS FOR FUTURE REFERENCE

The term "power tool" in the warnings refers to your mains-operated (corded) power tool or battery-operated (cordless) power tool.

1) Work area safety

- Keep work area clean and well lit.** Cluttered or dark areas invite accidents.
- Do not operate power tools in explosive atmospheres, such as in the presence of flammable liquids, gases or dust.** Power tools create sparks which may ignite the dust or fumes.
- Keep children and bystanders away while operating a power tool.** Distractions can cause you to lose control.

2) Electrical safety

- Power tool plugs must match the outlet. Never modify the plug in any way. Do not use any adapter plugs with earthed (grounded) power tools.** Unmodified plugs and matching outlets will reduce risk of electric shock.
- Avoid body contact with earthed or grounded surfaces such as pipes, radiators, ranges and refrigerators.** There is an increased risk of electric shock if your body is earthed or grounded.
- Do not expose power tools to rain or wet conditions.** Water entering a power tool will increase the risk of electric shock.
- Do not abuse the cord. Never use the cord for carrying, pulling or unplugging the power tool. Keep cord away from heat, oil, sharp edges or moving parts.** Damaged or entangled cords increase the risk of electric shock.
- When operating a power tool outdoors, use an extension cord suitable for outdoor use.** Use of a cord suitable for outdoor use reduces the risk of electric shock.
- If operating a power tool in a damp location is unavoidable, use a residual current device (RCD)**

protected supply. Use of an RCD reduces the risk of electric shock.

3) Personal safety

- Stay alert, watch what you are doing and use common sense when operating a power tool. Do not use a power tool while you are tired or under the influence of drugs, alcohol or medication.** A moment of inattention while operating power tools may result in serious personal injury.
- Use personal protective equipment. Always wear eye protection.** Protective equipment such as dust mask, non-skid safety shoes, hard hat, or hearing protection used for appropriate conditions will reduce personal injuries.
- Prevent unintentional starting. Ensure the switch is in the off position before connecting to power source and/or battery pack, picking up or carrying the tool.** Carrying power tools with your finger on the switch or energising power tools that have the switch on invites accidents.
- Remove any adjusting key or wrench before turning the power tool on.** A wrench or a key left attached to a rotating part of the power tool may result in personal injury.
- Do not overreach. Keep proper footing and balance at all times.** This enables better control of the power tool in unexpected situations.
- Dress properly. Do not wear loose clothing or jewellery. Keep your hair, clothing and gloves away from moving parts.** Loose clothes, jewellery or long hair can be caught in moving parts.
- If devices are provided for the connection of dust extraction and collection facilities, ensure these are connected and properly used.** Use of dust collection can reduce dust-related hazards.

4) Power tool use and care

- Do not force the power tool. Use the correct power tool for your application.** The correct power tool will do the job better and safer at the rate for which it was designed.
- Do not use the power tool if the switch does not turn it on and off.** Any power tool that cannot be controlled with the switch is dangerous and must be repaired.
- Disconnect the plug from the power source and/or the battery pack from the power tool before making any adjustments, changing accessories, or storing power tools.** Such preventive safety measures reduce the risk of starting the power tool accidentally.
- Store idle power tools out of the reach of children and do not allow persons unfamiliar with the power tool or these instructions to operate the power tool.** Power tools are dangerous in the hands of untrained users.
- Maintain power tools. Check for misalignment or binding of moving parts, breakage of parts and any other condition that may affect the power tool's operation. If damaged, have the power tool**

repaired before use. Many accidents are caused by poorly maintained power tools.

- f) **Keep cutting tools sharp and clean.** Properly maintained cutting tools with sharp cutting edges are less likely to bind and are easier to control.
- g) **Use the power tool, accessories and tool bits etc., in accordance with these instructions taking into account the working conditions and the work to be performed.** Use of the power tool for operations different from those intended could result in a hazardous situation.

5) Service

- a) **Have your power tool serviced by a qualified repair person using only identical replacement parts.** This will ensure that the safety of the power tool is maintained.

Additional Safety Instructions for Demolition Hammers

- **Wear ear protectors.** Exposure to noise can cause hearing loss.
- **Use auxiliary handles supplied with the tool.** Loss of control can cause personal injury.
- **Hold power tools by insulated gripping surfaces when performing an operation where the cutting accessory may contact hidden wiring or its own cord.** Cutting accessory contacting a "live" wire may make exposed metal parts of the tool "live" and could give the operator an electric shock.
- **Be certain that the material being drilled does not conceal electric or gas service and that their locations have been verified with the utility companies.**
- **Keep a firm grip on the tool at all times.** Do not attempt to operate this tool without holding it with both hands. Operating this tool with one hand will result in loss of control. Breaking through or encountering hard materials such as re-bar may be hazardous as well. Tighten the side handle securely before use.
- **Ensure the chisel is secured in place before operating the tool.**
- **In cold-weather conditions or when the tool has not been used for a longer period of time, let the tool run with no load for several minutes before use.**
- **When working above ground level ensure the area below is clear.**
- **Do not touch the chisel or the parts close to the chisel immediately after operation, as they may be extremely hot and cause burns to the skin.**
- **Always direct the power cable to the rear, away from the chisel.**
- **Do not operate this tool for long periods of time.** Vibration caused by hammer action may be harmful to your hands and arms. Use gloves to provide extra cushion and limit exposure by taking frequent rest periods.

 **WARNING:** We recommend the use of a residual current device with a residual current rating of 30mA or less.

Residual Risks

The following risks are inherent to the use of demolition hammers:

- *Injuries caused by touching the hot parts of the tool.*

In spite of the application of the relevant safety regulations and the implementation of safety devices, certain residual risks cannot be avoided. These are:

- *Impairment of hearing.*
- *Risk of personal injury due to flying particles.*
- *Risk of burns due to accessories becoming hot during operation.*
- *Risk of personal injury due to prolonged use.*

Electrical Safety

The electric motor has been designed for one voltage only. Always check that the power supply corresponds to the voltage on the rating plate.



Your DEWALT tool is double insulated in accordance with EN60745; therefore no earth wire is required.



WARNING: 115 V units have to be operated via a fail-safe isolating transformer with an earth screen between the primary and secondary winding.

If the supply cord is damaged, it must be replaced by a specially prepared cord available through the DEWALT service organisation.

Mains Plug Replacement (U.K. & Ireland Only)

If a new mains plug needs to be fitted:

- *Safely dispose of the old plug.*
- *Connect the brown lead to the live terminal in the plug.*
- *Connect the blue lead to the neutral terminal.*



WARNING: No connection is to be made to the earth terminal.

Follow the fitting instructions supplied with good quality plugs. Recommended fuse: 13 A.

Using an Extension Cable

If an extension cable is required, use an approved 3-core extension cable suitable for the power input of this tool (see **Technical Data**). The minimum conductor size is 1.5 mm²; the maximum length is 30 m.

When using a cable reel, always unwind the cable completely.

Package Contents

The package contains:

- 1 Demolition hammer
- 1 Side handle
- 1 Pointed chisel
- 1 Kitbox
- 1 Instruction manual
- *Check for damage to the tool, parts or accessories which may have occurred during transport.*
- *Take the time to thoroughly read and understand this manual prior to operation.*

Markings on Tool

The following pictograms are shown on the tool:



Read instruction manual before use.



Wear ear protection.



Wear eye protection.

Date Code Position (Fig. A)

The date code **7**, which also includes the year of manufacture, is printed into the housing.

Example:

2018 XX XX
Year of Manufacture

Description (Fig. A)



WARNING: Never modify the power tool or any part of it. Damage or personal injury could result.

- 1 On/off switch
- 2 Main handle
- 3 Chisel position index collar
- 4 Tool holder/sleeve
- 5 Side handle
- 6 Tool tag mounting holes
- 7 Date code
- 8 Electronic impact energy control dial (D25902)

Intended Use

Your heavy-duty demolition hammer is designed for heavy-duty demolition, chipping and chasing applications.

DO NOT use under wet conditions or in the presence of flammable liquids or gases.

Your heavy-duty demolition hammer is a professional power tool.

DO NOT let children come into contact with the tool.

Supervision is required when inexperienced operators use this tool.

- **Young children and the infirm.** This appliance is not intended for use by young children or infirm persons without supervision.
- This product is not intended for use by persons (including children) suffering from diminished physical, sensory or mental abilities; lack of experience, knowledge or skills unless they are supervised by a person responsible for their safety. Children should never be left alone with this product.

Soft Start Feature

The soft start feature allows the impact rate to build up more slowly, thus preventing the chisel or point from "bouncing" around on the masonry when starting up.

Active Vibration Control

The active vibration control neutralises rebound vibration from the hammer mechanism. Lowering hand and arm vibration, it allows more comfortable use for longer periods of time and extends the life of the unit.

Electronic Impact Energy Control (Fig. A)

D25902

The electronic impact energy control dial **8** offers the following advantages:

- Use of smaller accessories without risk of breakage.
- Minimised break-out when chiselling soft or brittle materials.
- Optimal tool control for precise chiselling.

ASSEMBLY AND ADJUSTMENTS



WARNING: To reduce the risk of serious personal injury, turn tool off and disconnect tool from power source before making any adjustments or removing/installing attachments or accessories. An accidental start-up can cause injury.



WARNING: Always wear gloves when changing accessories. The exposed metal parts on the tool and accessory may become extremely hot during operation.

Inserting and Removing SDS MAX Accessories (Fig. C)



WARNING: Do not apply lubricant to the machine.

This machine uses SDS MAX chisels (refer to the inset in Figure C for a cross-section of a chisel shank).

Only DEWALT recommended accessories should be used with this product.

1. Clean the chisel shank.
2. Insert the chisel shank into the tool holder/sleeve **4**. Press and turn the chisel slightly until the sleeve snaps into position.
3. Pull on the chisel to check if it is properly locked. The hammering function requires the chisel to be able to move axially several centimetres when locked in the tool holder.
4. To remove a chisel, pull back the tool holder/sleeve **4** and pull the chisel out of the tool holder.

Indexing the Chisel Position (Fig. D)

The chisel can be indexed and locked into 12 different positions.

1. Insert the chisel as described above.
2. Rotate the chisel position index collar **3** in the direction of the arrow until the chisel is in the desired position.

Setting the Electronic Impact Power Control Dial (Fig. A)

D25902

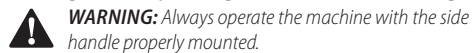
Turn the electronic impact energy control dial **8** to the desired level. The higher the number, the greater the impact energy. With dial settings from «1» (low) to «7» (full power)

the tool is extremely versatile and adaptable for many different applications.

The required setting is a matter of experience, for example:

- When chiselling soft, brittle materials or when minimum break-out is required, set the dial to «1» or «2» (low);
- When breaking harder materials, set the dial to «7» (full power).

Fitting and Adjusting the Side Handle (Fig. E)



WARNING: Always operate the machine with the side handle properly mounted.

The side handle **5** can be mounted on the front of the machine to suit both RH- and LH-users.

1. Unscrew the side handle clamp knob **9**.
2. Slide the side handle assembly onto the machine locating the steel ring **10** in the mounting area **18**. The correct position of the side handle is between head and middle of the tube.
3. Adjust the side handle **5** to the desired angle.
4. Slide and rotate the side handle to the desired position.
5. Lock the side handle in place by tightening the clamp knob **9**.

DeWALT Tool Tag Ready (Fig. A)

Optional Accessory

Your hammer comes with mounting holes **6** and fasteners for installing a DeWALT Tool Tag. You will need a T20 bit tip to install the tag. The DeWALT Tool Tag is designed for tracking and locating professional power tools, equipment, and machines using the DeWALT Tool Connect™ app. For proper installation of the DeWALT Tool Tag refer to the DeWALT Tool Tag manual.

OPERATION

Instructions for Use



WARNING: Always observe the safety instructions and applicable regulations.



WARNING: To reduce the risk of serious personal injury, turn tool off and disconnect tool from power source before making any adjustments or removing/installing attachments or accessories. An accidental start-up can cause injury.



WARNING:

- Be aware of the location of pipework and wiring.
- Apply a pressure of approx. 20–30 kg to the tool. Excessive force does not speed up chiselling but decreases tool performance and may shorten tool life.

Proper Hand Position (Fig. B)



WARNING: To reduce the risk of serious personal injury, ALWAYS use proper hand position as shown.



WARNING: To reduce the risk of serious personal injury, ALWAYS hold securely in anticipation of a sudden reaction.

Proper hand position requires one hand on the side handle **5**, with the other hand on the main handle **2**.

Switching On and Off (Fig. A)

Switching on: set the On/off switch **1** to position 1.

Switching off: set the On/off switch **1** to position 0.

Demolition, Chasing and Channelling (Fig. A)

1. Select the appropriate chisel and clean.
2. Insert the chisel and check whether it is properly locked.
3. Set the desired impact energy level (D25902).
4. Fit and adjust the side handle **5** and make sure it is firmly tightened.
5. Hold the tool with both the main handle **2** and the side handle **5** and switch on. The tool now runs in continuous operation.
6. Always switch off the tool when work is finished and before unplugging.

Various types of chisels are available as an option.

Only DeWALT recommended accessories should be used with this product.

MAINTENANCE

Your DeWALT power tool has been designed to operate over a long period of time with a minimum of maintenance. Continuous satisfactory operation depends upon proper tool care and regular cleaning.



WARNING: To reduce the risk of serious personal injury, turn tool off and disconnect tool from power source before making any adjustments or removing/installing attachments or accessories. An accidental start-up can cause injury.

This machine is not user-serviceable. Take the tool to an authorised DeWALT repair agent after approximately 100 hours of use. If problems occur before this time contact an authorised DeWALT repair agent.



Lubrication

Your power tool requires no additional lubrication.



Cleaning



WARNING: Blow dirt and dust out of the main housing with dry air as often as dirt is seen collecting in and around the air vents. Wear approved eye protection and approved dust mask when performing this procedure.



WARNING: Never use solvents or other harsh chemicals for cleaning the non-metallic parts of the tool. These chemicals may weaken the materials used in these parts. Use a cloth dampened only with water and mild soap. Never let any liquid get inside the tool; never immerse any part of the tool into a liquid.

Optional Accessories



WARNING: Since accessories, other than those offered by DEWALT, have not been tested with this product, use of such accessories with this tool could be hazardous. To reduce the risk of injury, only DEWALT recommended accessories should be used with this product.

Consult your dealer for further information on the appropriate accessories.

Accessory Maintenance (Fig. F)

Accessory maintenance at the right time guarantees optimal results in application and a long and efficient accessory life.

Grind the chisels on grinding discs. Refer to Figure F for the appropriate angles of the following chisels:

- 11 Spade-shaped chisel
- 12 Cold chisel
- 13 Pointed chisel
- 14 U-shaped chisel
- 15 Hollow chisel
- 16 Mortar chisel
- 17 Toothed chisel



WARNING: These chisels can be reground only a limited number of times. If in doubt, contact your dealer for recommendations.



WARNING: Ensure that the cutting edge does not show discolouration caused by too much pressure. This may impair the hardness of the accessory.

Protecting the Environment



Separate collection. Products and batteries marked with this symbol must not be disposed of with normal household waste.

Products and batteries contain materials that can be recovered or recycled reducing the demand for raw materials. Please recycle electrical products and batteries according to local provisions. Further information is available at www.2helpU.com.

ВІДБІЙНИЙ МОЛОТОК

D25902, D25951

Вітаємо вас!

Ви обрали інструмент DEWALT. Великий досвід компанії у розробці інструментів та постійна робота над їх вдосконаленням роблять компанію DEWALT надійним партнером професійних користувачів.

Технічні характеристики

		D25902	D25951
Напруга	V _{ac}	230	230
Великобританія та Ірландія	V _{ac}	230/115	230/115
Тип		1	1
Частота	Гц	50	50
Вихідна потужність	Вт	1550	1600
Швидкість при ударному навантаженні	хв. ⁻¹	1050-2100	1620
Одиниця ударної енергії (EPTA 05/2009)	J	19	24
Тримач інструменту		SDS MAX	SDS MAX
Положення долота		12	12
Маса	кг	10,5	13,3

Значення рівня шуму та вібрації (триаксильна векторна сума) відповідно до стандарту EN60745-2-6:

L _{PA} (рівень тиску звукового випромінювання)	дБ(A)	89	90
L _{WA} (рівень звукового тиску)	дБ(A)	100	101
K (похибка для даного рівня гучності)	дБ(A)	3	2

Робота долотом

Значення вібрації a _{h, Cheq} =	м/с ²	7,5	8,8
Похибка K =	м/с ²	1,5	1,5

Значення вібрації, що наведено в цьому документі, було виміряне згідно зі стандартизованим тестом, викладеним у стандарті EN60745, та може використовуватись для порівняння інструментів. Це значення вібрації можна також використовувати для попередньої оцінки впливу вібрації.

⚠ УВАГА! Задеклароване значення вібрації відповідає основному використанню інструменту. Але якщо інструмент використовується для виконання інших завдань, з іншими витратними матеріалами/аксесуарами або погано обслуговується, значення вібрації може відрізнятись. Це може значно збільшити рівень впливу протягом усього періоду роботи.

Оцінка рівню впливу вібрації має враховувати час вимкнені інструменту та роботу інструменту без виконання певних завдань. Це може значно збільшити рівень впливу протягом усього періоду роботи.

Визначення додаткових заходів безпеки для захисту оператора від впливу вібрації: технічне

обслуговування інструменту та аксесуарів, утримання рук у теплі, організація режиму роботи.

Декларація про відповідність ЄС ДИРЕКТИВА ДЛЯ МЕХАНІЧНОГО ОБЛАДНАННЯ



Відбійний молоток D25902, D25951

Компанія DEWALT заявляє, що ці продукти, описані у розділі

Технічні дані відповідають:

2006/42/EC, EN60745-1:2009+A11:2010, EN60745-2-6:2010.

2000/14/EC, електричний бетонолом (переносний), m ≤ 15 кг, Додаток VIII, TÜV Rheinland LGA Products GmbH (0197), D-90431 Nürnberg, Німеччина, ідентифікаційний № уповноваженого органу: 0197

Рівень акустичної потужності відповідно до 2000/14/EC (Стаття 12, Додаток III, № 10; m ≤ 15 кг):

L_{WA} (виміряний рівень звукової потужності)

D25902	дБ(A)	100
D25951	дБ(A)	101

L_{WA} (гарантований рівень звукової потужності)

D25902	дБ(A)	105
D25951	дБ(A)	103

Ці продукти також відповідають вимогам Директив 2014/30/EU і 2011/65/EU. Для отримання додаткової інформації, будь ласка, зверніться до компанії DEWALT за наступною адресою або прочитайте інформацію на зворотній стороні цього керівництва.

Нижчепідписаний несе відповідальність за упорядкування файлу технічних характеристик та робить цю заяву від імені компанії DEWALT.

Маркус Ромпель (Markus Rompel)
технічний директор
DEWALT, Richard-Klenger-Straße 11,
D-65510, Idstein, Німеччина
03.01.2018



УВАГА! Уважно прочитайте керівництво з експлуатації для зниження ризику отримання травм.

Позначення: інструкції з техніки безпеки

Умовні позначення, що наведені нижче, описують рівень серйозності кожного попереджувального слова. Будь ласка,

прочитайте керівництво та звертайте увагу на наступні символи.



НЕБЕЗПЕКА: Вказує на безпосередню загрозу, яка, якщо її не уникнути, **приведе до смерті або серйозної травми.**



УВАГА! Вказує на потенційну загрозу, яка, якщо її не уникнути, **може** призвести до **смерті або серйозної травми.**



ОБЕРЕЖНО! Вказує на потенційну загрозу, яка, якщо її не уникнути, **може** призвести до **травми незначної або середньої важкості.**

ПРИМІТКА. Вказує на ситуацію, **не пов'язану в особистою травмою**, яка, якщо її не уникнути, **може** призвести до **пошкодження майна.**



Вказує на ризик ураження електричним струмом.



Вказує на ризик виникнення пожежі.

Загальні правила безпеки для електричного інструменту



УВАГА! Прочитайте всі попередження та інструкції з техніки безпеки, а також рисунки та специфікації щодо цього електричного інструменту. Невиконання всіх інструкцій, що наведені нижче, може призвести до ураження електричним струмом, пожежі та/або серйозних травм.

ЗБЕРЕЖІТЬ ВСІ ПОПЕРЕДЖЕННЯ ТА ІНСТРУКЦІЇ ДЛЯ ВИКОРИСТАННЯ В МАЙБУТЬОМУ

Термін «електричний інструмент» в усіх попередженнях стосується використовуваних вами інструментів, що працюють від мережі енергоспоживання (з використанням електричного кабелю) або акумуляторів (без кабелю).

1) Безпека робочої зони

- a) **Тримайте робочу зону чистою та добре освітленою.** Неупорядковані та темні робочі зони збільшують ймовірність нещасного випадку.
- b) **Не використовуйте електричні інструменти у вибухонебезпечній атмосфері, наприклад, в присутності вогненебезпечних рідин, газів та пилу.** Електричні інструменти створюють іскри, що можуть запалити пил або випаровування.
- c) **Тримайте дітей та сторонніх подалі під час використання інструменту.** Відвернення уваги може призвести до втрати контролю.

2) Електрична безпека

- a) **Вилка електричного інструменту має відповідати розетці. Ніколи жодним чином не змінюйте вилку. Не використовуйте адаптери із заземленими електричними інструментами.** Немодифіковані вилки та розетки, що підходять до них, зменшують ризик ураження електричним струмом.

- b) **Уникайте контакту тіла з заземленими поверхнями, такими як труби, радіатори, плити та холодильники.** Якщо ваше тіло заземлене, збільшується ризик ураження електричним струмом.
- c) **Не залишайте електричні інструменти під дощем або в умовах підвищеної вологості.** Вода, що потрапляє в електричний інструмент, підвищує ризик ураження електричним струмом.
- d) **Не використовуйте кабелів живлення не за призначенням. Ніколи не використовуйте шнур для перенесення, витягування та відключення від розетки живлення електричного інструмента. Тримайте шнур подалі від високих температур, мастила, гострих предметів та рухомих деталей.** Пошкоджені або перекручені шнури підвищують ризик враження електричним струмом.
- e) **При використанні електричного інструменту на вулиці, використовуйте подовжуючий шнур, що підходить для використання на вулиці.** Використання шнура, що підходить для вулиці, знижує ризик ураження електричним струмом.
- f) **Якщо неможливо уникнути використання електричного інструменту в умовах підвищеної вологості, використовуйте живлення, захищене пристроєм залишкового струму (RCD).** Використання RCD знижує ризик ураження електричним струмом.

3) Особиста безпека

- a) **Будьте в стані готовності, дивіться, що ви робите, та використовуйте загальний глузд, коли ви працюєте з електричним інструментом. Не використовуйте електричний інструмент, коли ви втомлені або знаходитесь під впливом наркотичних речовин, алкоголю або ліків.** Втрата уваги при роботі з електричними інструментами може призвести до серйозних травм.
- b) **Використовуйте особисті засоби безпеки. Завжди використовуйте засоби захисту очей.** Засоби безпеки, такі як протипилова маска, неслизькі безпечні черевки, захисний шолом та засоби захисту слухового апарату, які використані для відповідних умов, зменшують ймовірність особистих травм.
- c) **Уникнення випадкового запуску. Переконайтесь в тому, що вимикач знаходиться в позиції Вимк. перед підключенням до джерела живлення та/або акумулятора, переміщенням або перенесенням пристрою. Перенесення інструменту, тримаючи палець на вимикачі, або підключення живлення з перемикачем в позиції Увімк. може призвести до нещасного випадку.**
- d) **Зніміть всі налаштувальні ключі або гайкові ключі перед тим, як вмикати електричний**

інструмент. Гайковий ключ, що залишився прикріпленим до якоїсь деталі електричного пристрою, що обертається, може призвести до травм.

- e) **Не перенапружуйтесь. Завжди утримуйте правильну постановку ніг і рівновагу.** Це дає вам змогу краще контролювати інструмент в неочікуваних ситуаціях.
- f) **Вдягайтеся відповідним чином. Не вдягайте вільний одяг або прикраси. Тримайте ваше волосся, одяг та рукавички подалі від рухомих деталей.** Вільний одяг, прикраси або довге волосся може зачепитися за рухомі деталі.
- g) **Якщо передбачені пристрої для підключення до засобів виділення та збирання пилу, переконайтеся, що вони правильно підключені та використовуються.** Використання таких пристроїв зменшує ризик виникнення небезпечних ситуацій, що пов'язані з потраплянням пилу.

4) Використання електричного інструмента та догляд за ним

- a) **Не використовуйте надмірні зусилля при роботі з інструментом. Використовуйте відповідний електричний інструмент для вашого застосування.** Правильно обраний інструмент виконає завдання краще та безпечніше за умов, для яких він був розроблений.
- b) **Не використовуйте інструмент, вмикач якого не вмикає та не вимикає його.** Будь-який електричний інструмент, який не може управлятися вмикачем, є небезпечним і має бути відремонтований.
- c) **Відключіть вилку від джерела живлення перед тим, як робити будь-які налаштування, зміни додаткового обладнання чи зберігати інструмент.** Ці профілактичні заходи зменшують ризик випадкового запуску електричного інструменту.
- d) **Бережіть вимкнені електричні інструменти від дітей та не дозволяйте особам, що не знайомі з електричним інструментом або цими інструкціями використовувати електричний інструмент.** Електричні інструменти є небезпечними, якщо вони використовуються некваліфікованими користувачами.
- e) **Технічне обслуговування електричних інструментів. Перевіряйте на відсутність вирівнювання або заїдання рухомих деталей, ушкоджених частин та інших умов, що можуть впливати на роботу електричного інструменту.** Якщо є ушкодження, відремонтуйте електричний інструмент перед використанням. Багато нещасних випадків є результатом того, що інструмент не пройшов відповідного технічного обслуговування.

- f) **Тримайте ріжучі інструменти гострими та чистими.** Правильно доглянуті ріжучі інструменти з гострими ріжучими кромками мають меншу ймовірність заїдання, та ними легше керувати.
- g) **Використовуйте електричний інструмент, додаткові інструменти та деталі інструменту тощо у відповідності до цих інструкцій та відповідно до даного типу електричних інструментів, зважаючи на умови використання та роботу, яка має бути виконана.** Використання електричних інструментів не за призначенням може призвести до виникнення небезпечних ситуацій.

5) Обслуговування

- a) **Надавайте ваш електричний інструмент для обслуговування кваліфікованим спеціалістом з ремонту та використовуйте тільки ідентичні замінні деталі.** Це забезпечить безпеку електричного пристрою, що обслуговується.

Додаткові правила з техніки безпеки для відбійних молотків

- **Використовуйте засоби захисту слуху.** Шум може викликати втрату слуху.
- **Використовуйте додаткові ручки, що надаються з інструментом.** Втрата контролю над інструментом може викликати травми.
- **Тримайте інструменти за ізольовану поверхню при виконанні операцій коли ріжучі аксесуари можуть торкнутися проводки або власного кабелю.** Ріжучі елементи при контакті з дротом під напругою можуть призвести до появи напруги в відкритих металевих деталях та ураження оператора електричним струмом.
- **При довганні переконайтеся у відсутності прихованої електропроводки або труб газопостачання, а також у тому, що їх розташування було уточнено в компанії комунального обслуговування.**
- **Постійно міцно тримайте інструмент.** Не намагайтеся використовувати інструмент, тримаючи його лише однією рукою. Робота з інструментом, тримаючи його однією рукою, може призвести до втрати контролю. Пробивання або контакт з твердими матеріалами, наприклад, арматурним стрижнем, також може нести небезпеку. Перед використанням надійно затягніть бокову ручку.
- **Перед роботою переконайтеся, що долото надійно закріплене.**
- **При використанні інструменту за умов холодної погоди або після тривалої перерви попередньо дайте інструменту можливість попрацювати без навантаження кілька хвилин.**

- **При роботі вище рівня ґрунту спочатку переконайтеся, що на землі немає сторонніх предметів.**
- **Не торкайтеся долота і деталей біля нього відразу після роботи, тому що вони можуть бути дуже гарячими, що може призвести до опіків шкіри.**
- **Кабель живлення завжди повинен знаходитись позаду пристрою подалі від долота.**
- **Не використовуйте інструмент протягом тривалого часу.** Вібрація, спричинена перфоратором, може бути шкідливою для ваших рук. Використовуйте рукавиці для захисту та обмежуйте вплив вібрації, роблячи часті перерви.



УВАГА! Ми рекомендуємо використовувати пристрій залишкового струму із залишковим струмом 30 мА або менше.

Залишкові ризики

Наступні ризики можуть залишитися при використанні відбійних молотків:

- травми через контакт з гарячими деталями інструменту.

Навіть при виконанні всіх відповідних правил техніки безпеки та використанні пристроїв безпеки неможливо уникнути деяких залишкових ризиків. А саме:

- Порушення слуху.
- Ризик травм через летючі частинки.
- Ризик опіків через нагрівання аксесуарів під час роботи.
- Ризик травм через занадто тривале використання.

Електрична безпека

Електричний двигун розроблений для роботи лише з одним значенням напруги. Завжди перевіряйте відповідність джерела живлення напруги, яка вказана на табличці з паспортними даними.



Ваш інструмент виробництва компанії DEWALT має подвійну ізоляцію відповідно до EN60745; тому заземлення не є необхідним.



УВАГА! Пристрої з напругою 115 В необхідно контролювати шляхом надійного розділового трансформатора з екраном заземлення між первинною та вторинною обмотками.

Якщо кабель живлення пошкоджений, його необхідно замінити на спеціальний кабель, який доступний через офіційні сервісні центри DEWALT.

Заміна мережевої вилки (тільки для Великобританії та Ірландії)

Якщо потрібно встановити нову вилку, виконайте кілька дій.

- Зніміть стару вилку та утилізуйте її, дотримуючись правил техніки безпеки.
- Приєднайте коричневий провідник до активного виходу вилки.
- Приєднайте блакитний провідник до нейтрального виходу.



УВАГА! Жоден провідник не повинен бути підключений до клеми заземлення.

Дотримуйтеся інструкцій щодо налаштування, що постачаються з якісними вилками. Плавкий запобіжник, що рекомендується: 13 А.

Використання електричного подовжувача

Якщо необхідний подовжувач, використовуйте рекомендований 3-жильний подовжуючий шнур, що підходить для споживаної потужності інструменту (див. **Технічні характеристики**). Мінімальний розмір провідника становить 1,5 мм²; максимальна довжина — 30 м. При використанні кабельного барабану завжди витягуйте весь кабель.

Комплект поставки

Комплект містить:

- 1 Відбійний молоток
 - 1 Бокова ручка
 - 1 Конічне долото
 - 1 Чемодан
 - 1 Керівництво з експлуатації
- *Перевірте інструмент, деталі та аксесуари на пошкодження, що могли виникнути під час транспортування.*
 - *Перед використанням уважно прочитайте та повністю зрозумійте це керівництво.*

Маркування інструменту

На інструменті є наступні піктограми:



Прочитайте інструкції цього керівництва перед використанням.



Використовуйте засоби захисту слуху.



Використовуйте засоби захисту очей.

Розташування коду дати (рис. А)

Код дати **7**, що включає також рік виробництва, наноситься на корпус.

Приклад:

2018 XX XX

Рік виробництва

Опис (рис. А)



УВАГА! Ніколи не модифікуйте електричні інструменти та їх деталі. Інакше вони можуть стати причиною пошкодження майна або травм.

- 1 Вимикач
- 2 Основна ручка
- 3 Регулятор положення долота
- 4 Тримач насадок/затискне кільце
- 5 Бокова ручка

- 6 Монтажні отвори для етикетки інструменту
- 7 Код дати
- 8 Електронний регулятор енергії удару (D25902)

Область застосування

Ваш відбійний молоток розроблений для виконання важких завдань руйнування, додання та дроблення.

НЕ використовуйте за умов підвищеної вологості або у присутності легкозаймистих рідин та газів.

Цей відбійний молоток для роботи в важких умовах є професійним електричним інструментом.

НЕ дозволяйте дітям підходити та торкатися інструмента. При використанні інструменту недосвідченими операторами необхідний нагляд.

- **Діти та хворі люди.** Цей пристрій не призначений для використання дітьми та хворими людьми без нагляду.
- Цей пристрій не призначений для використання особами (включаючи дітей) із зниженими фізичними, сенсорними або розумовими можливостями або особами, яким бракує досвіду або знань за винятком випадків, коли такі особи працюють під наглядом особи, яка несе відповідальність за їх безпеку. Не можна залишати дітей наодинці з цим пристроєм.

Функція м'якого старту

Завдяки функції м'якого старту швидкість додання наростає поступово, що дає можливість уникнути нестабільності долота при запуску.

Контроль активної вібрації

Контроль активної вібрації нейтралізує вібрацію ударного механізму. Зниження впливу вібрації на руки оператора забезпечує зручність експлуатації інструменту протягом тривалої роботи і збільшує термін служби інструменту.

Електронний регулятор сили удару (рис. А) D25902

Електронний регулятор сили удару **8** дозволяє скористатися наступними перевагами:

- Використання невеликих за розміром насадок без ризику їх пошкодження.
- При довбанні м'яких або крихких матеріалів зменшення їх відламування.
- Оптиміальний контроль над інструментом для більш точного виконання робіт.

ЗБИРАННЯ ТА НАЛАШТУВАННЯ

! **УВАГА!** Щоб знизити ризик серйозних травм, вимкніть інструмент та відключіть його від мережі живлення перед виконанням будь-яких налаштувань або змінанням/встановленням насадок або аксесуарів. Випадковий запуск може призвести до травм.

! **УВАГА!** Завжди використовуйте рукавиці при зміні насадок. Відкриті металеві деталі інструменту та насадки можуть бути дуже гарячими під час роботи.

Установка та зняття насадок SDS MAX

(рис. С)



УВАГА! Ваш інструмент не потребує додаткового змащування.

З цим інструментом використовують долота SDS MAX (див. вставку на рис. С: поперековий перетин хвостовика долота). Потрібно використовувати лише аксесуари, рекомендовані компанією DeWALT.

1. Очистіть хвостовик долота.
2. Вставте хвостовик долота у тримач насадок/затискне кільце **4**. Натисніть та поверніть злегка долото, поки затискне кільце не повернеться на місце.
3. Потягніть за долото, щоб переконатися, що воно добре зафіксовано. Функція удару вимагає, щоб долото рухалося по осі на кілька сантиметрів після того, як воно заблоковано у тримачі насадок.
4. Щоб зняти долото потягніть назад тримач насадок/затискне кільце **4** та витягніть долота з тримача.

Регулювання положення долота (рис. D)

Цей інструмент дозволяє встановити і зафіксувати долото у 12 різних положеннях.

1. Встановіть долото, як описано вище.
2. Поверніть регулятор положення долота **3** у напрямку стрілки так, щоб долото встало у необхідне положення.

Встановлення електронного регулятора сили удару (рис. А)

D25902

Поверніть електронний регулятор сили удару **8** на необхідний рівень. Чим більше це значення, тим вища енергія удару. Встановлюючи регулятор на значення від «1» (низька сила) до «7» (висока сила), ви будете мати можливість використовувати інструмент для виконання різноманітних задач.

Необхідне значення визначаються дослідним шляхом, наприклад:

- При довбанні м'яких або крихких матеріалів, а також для забезпечення мінімального розколювання необхідно встановлювати регулятор на значення «1» або «2» (низька сила).
- При довбанні більш твердих матеріалів необхідно повернути регулятор на «7» (максимальна сила).

Установка та регулювання бокової ручки

(рис. E)



УВАГА! Завжди використовуйте пристрій із правильно встановленою боковою ручкою.

Бокову ручку **5** можна встановити на передню частину пристрою так, щоб вона підходила для правої та лівої руки.

1. Відкрутіть затискач бокової ручки **9**.

- Встановіть бокову ручку у зібраному вигляді на пристрій, розташовуючи металеве кільце **10** у зоні кріплення **18**. Правильним положенням бокової ручки є положення між передньою та середньою частинами корпусу.
- Налаштуйте кут нахилу бокової ручки **5**.
- Встановіть та поверніть бокову ручку у необхідну позицію.
- Зафіксуйте бокову ручку на місці, затягнувши затискач бокової ручки **9**.

Інструмент DEWALT готовий до використання етикетки (рис. А)

Додатковий аксесуар

Ваш перфоратор має монтажні отвори **6** і кріпильні елементи для встановлення етикетки для інструменту DEWALT. Для встановлення етикетки вам потрібна буде насадка T20. Система етикеток для інструментів DEWALT розроблена для стеження та виявлення професійних електричних інструментів, обладнання та приладдя за допомогою програмного забезпечення DEWALT Tool Connect™. Додаткову інформацію про правильне встановлення етикеток інструменту DEWALT див. у розділі «Етикетки інструментів DEWALT» цього посібника.

РОБОТА

Інструкції з використанню



УВАГА! Завжди дотримуйтесь всіх інструкцій з техніки безпеки та відповідних норм.



УВАГА! Щоб знизити ризик серйозних травм, вимкніть інструмент та відключіть його від мережі живлення перед виконанням будь-яких налаштувань або зніманням/встановленням насадок або аксесуарів. Випадковий запуск може призвести до травм.



УВАГА!

- Стежте за розташуванням труб та проводки.
- Застосовуйте до інструмента тиск приблизно 20–30 кг. Надмірне зусилля не прискорює додання, але знижує продуктивність інструменту та може скоротити його термін служби.

Вірне положення рук (рис. В)



УВАГА! Щоб знизити ризик серйозних травм, **ЗАВЖДИ** правильно розташуйте руки, як показано.



УВАГА! Щоб знизити ризик серйозних травм, **ЗАВЖДИ** добре тримайте інструмент, щоб попередити випадкову віддачу.

При правильному положенні рук необхідно одну руку тримати на боковій ручці **5**, а іншу - на основній ручці **2**.

Увімкнення/вимкнення (рис. А)

Увімкнення: встановіть перемикач Увімк./Вимк. **1** у положення 1.

Вимкнення: встановіть перемикач Увімк./Вимк. **1** у положення 0.

Руйнування, довбання і вирізання пазів (рис. А)

- Оберіть відповідне долото та очистіть його.
- Вставте долото і перевірте, що воно добре зафіксовано.
- Встановіть необхідний рівень сили удару (D25902).
- Встановіть бокову ручку **5** у потрібному положенні і надійно затягніть її.
- Утримуючи інструмент за основну ручку **2** і бокову ручку **5**, увімкніть його. Інструмент почне працювати у безперервному режимі.
- Завжди вимикайте інструмент, коли робота завершена, та перед відключенням від мережі живлення.

Можна додатково придбати різні типи долот.

Потрібно використовувати лише аксесуари, рекомендовані компанією DEWALT.

ТЕХНІЧНЕ ОБСЛУГОВУВАННЯ

Ваш інструмент виробництва компанії DEWALT призначений для роботи протягом довгого часу з мінімальним обслуговуванням. Довга задовільна робота приладу залежить від належного обслуговування приладу та регулярного його очищення.



УВАГА! Щоб знизити ризик серйозних травм, вимкніть інструмент та відключіть його від мережі живлення перед виконанням будь-яких налаштувань або зніманням/встановленням насадок або аксесуарів. Випадковий запуск може призвести до травм.

Цей пристрій не обслуговується користувачем. Надайте інструмент для обслуговування в офіційний сервісний центр DEWALT приблизно через 100 годин використання. Якщо проблеми виникають до цього часу зверніться в офіційний сервісний центр DEWALT.



Змашування

Ваш електричний інструмент не вимагає додаткового змашування.



Очищення



УВАГА! Видавайте бруд та пил зсередини основного корпусу за допомогою сухого повітря, коли пил та бруд стають помітними та починають збиратися біля вентиляційних отворів. Використовуйте рекомендовані засоби захисту органів зору та рекомендовану протипилову маску при виконанні цієї операції.



УВАГА! Ніколи не використовуйте розчинники та інші різкі хімікати для очищення неметалевих деталей інструменту. Ці хімічні речовини можуть

послабити матеріали, що використовуються для цих деталей. Використовуйте вологу ганчірку, змочену лише водою з м'яким милом. Не дозволяйте рідині потрапляти всередину інструменту та ніколи не занурюйте деталі інструменту в рідину.

Додаткові аксесуари



УВАГА! Через те, що інші аксесуари, що не рекомендовані компанією DEWALT не були перевірені з цим продуктом, використання таких аксесуарів з цим інструментом може бути небезпечним. Щоб знизити ризик травми використовуйте лише аксесуари, рекомендовані компанією DEWALT.

Зверніться до свого дилера для отримання подальшої інформації щодо відповідних аксесуарів.

Догляд за аксесуарами (рис. F)

Своєчасне обслуговування аксесуарів гарантує оптимальний результат роботи, а також тривалий термін служби.

Заточування доліт необхідно виконувати на точильному диску. На малюнку F вказані відповідні кути заточування для різних типів доліт:

- 11 Лопатоподібне долото
- 12 Звичайне долото
- 13 Конічне долото
- 14 U-подібне долото
- 15 Порожнисте долото
- 16 Долото для цементного розчину
- 17 Зубчате долото



УВАГА! Ці долота можна заточувати лише обмежену кількість разів. Якщо у вас виникли сумніви, зверніться за рекомендаціями до свого дилера.



УВАГА! Слідкуйте, щоб ріжучий край долота не змінював колір в результаті надмірного натискання на долото при заточуванні. Це може привести до зменшення міцності долота.

Захист навколишнього середовища



Роздільний збір. Пристрої та батареї, позначені цим символом, не можна викидати зі звичайним побутовим сміттям.



Пристрої та батареї містять матеріали, які можна відновити та переробити, що зменшить потребу у сировині. Будь ласка, віддавайте електричні інструменти та батареї на переробку відповідно до місцевих постанов. Більш детальну інформацію можна отримати на сайті www.2helpU.com.



Виробник:
"Stanley Black & Decker Deutschland
GmbH" Black-&-Decker Str.40, D-65510
Idstein, Німеччина

060



ГАРАНТІЙНИЙ ТАЛОН

3 РОКИ
ГАРАНТІЇ

1. Вітаємо Вас з покупкою високоякісного виробу DEWALT і висловлюємо вдячність за Ваш вибір.
2. При покупці виробу вимагайте перевірки його комплектності і справності у Вашій присутності, інструкцію з експлуатації та заповнений гарантійний талон українською мовою. В гарантійному талоні повинні бути внесені: модель, дата продажу, серійний номер, дата виробництва інструменту; назва, печатка і підпис торгової організації. За відсутності у Вас правильно заповненого гарантійного талону, а також при невідповідності зазначених у ньому даних ми будемо змушені відхилити Ваші претензії щодо якості даного виробу.
3. Щоб уникнути непорозумінь, переконливо просимо Вас перед початком роботи з виробом уважно ознайомитися з інструкцією з його експлуатації. Правовою основою справжніх гарантійних умов є чинне Законодавство. Гарантійний термін на даний виріб складає 36 місяців і обчислюється з дня продажу. У разі усунення недоліків виробу, гарантійний строк продовжується на період його перебування в ремонті. Термін служби виробу становить 5 років з дня продажу.
4. У разі виникнення будь-яких проблем у процесі експлуатації виробу рекомендуємо Вам звертатися тільки в уповноважені сервісні центри DEWALT, адреси та телефони яких Ви зможете знайти в гарантійному талоні, на сайті www.2helpU.com або дізнатися в магазині. Наші сервісні станції - це не тільки кваліфікований ремонт, але і широкий асортимент запчастин і аксесуарів.
5. Виробник рекомендує проводити періодичну перевірку і технічне обслуговування виробу в уповноважених сервісних центрах.
6. Наші гарантійні зобов'язання поширюються тільки на несправності, виявлені протягом гарантійного терміну і викликані дефектами виробництва та \ або матеріалів.
7. Гарантійні умови не поширюються на несправності виробу, що виникли в результаті:
 - 7.1. Недотримання користувачем приписів інструкції з експлуатації виробу, застосування виробу не за призначенням, неправильного зберігання, використання приладдя, витратних матеріалів і запчастин, що не передбачені виробником.
 - 7.2. Механічного пошкодження (відколи, тріщини і руйнування) внутрішніх і зовнішніх деталей виробу, основних і допоміжних рукояток, мережевого кабелю, що викликані зовнішнім ударним або будь-яким іншим впливом
 - 7.3. Потраплення у вентиляційні отвори та проникнення всередину виробу сторонніх предметів, матеріалів або речовин, що не є відходами, які супроводжують застосування виробу за призначенням, такими як: стружка, тирса, пісок, та ін.
 - 7.4. Впливу на виріб несприятливих атмосферних і інших зовнішніх факторів, таких як дощ, сніг, підвищена вологість, нагрівання, агресивні середовища, невідповідність параметрів електромережі, що зазначені на інструменті.
 - 7.5. Стихійного лиха. Пошкодження або втрати виробу, що пов'язані з непередбаченими лихами, стихійними явищами, у тому числі внаслідок дії непереборної сили (пожежа, блискавка, потоп і інші природні явища), а також внаслідок перепадів напруги в електромережі та іншими причинами, які знаходяться поза контролем виробника.
8. Гарантійні умови не поширюються:
 - 8.1. На інструменти, що піддавались розкриттю, ремонту або модифікації поза уповноваженим сервісним центром.
 - 8.2. На деталі, вузли та матеріали, що мають сліди природного зносу, такі як: приводні ремені і колеса, вугільні щітки, мастило, підшипники, зубчасті зчеплення редукторів, гумові ущільнення, сальники, направляючі ролики, муфти, вимикачі, бойки, штовхачі, стволи тощо.
 - 8.3. На змінні частини: патрони, цанги, затискні гайки і фланці, фільтри, ножі, шліфувальні підшви, ланцюги, зірочки, пильні шини, захисні кожухи, пилки, абразиви, пильні і абразивні диски, фрези, свердла, бури тощо
 - 8.4. На несправності, що виникли в результаті перевантаження інструменту (як механічного, так і електричного), що спричинили вихід з ладу одночасно двох і більше деталей і вузлів, таких як: ротора і статора, обох обмоток статора, веденої і ведучої шестерень редуктора або інших вузлів і деталей. До безумовних ознак перевантаження виробу відносяться, крім інших: поява кольорів мінливості, деформація або оплвлення деталей і вузлів виробу, потемніння або обуглювання ізоляції проводів електродвигуна під впливом високої температури.

Товар отриманий в справному стані, без видимих ушкоджень, в повній комплектації, перевірений у моїй присутності, претензій щодо якості товару не маю. З умовами гарантійного обслуговування ознайомлений і згоден.

П. І. Б. та підпис власника

Шановні клієнти, наша мережа авторизованих сервісних центрів постійно розширюється. Актуальну інформацію про обслуговування в місті, що цікавить вас, ви можете дізнатися на сайті

www.2helpU.com

Інформація про інструмент

Серійний номер/Дата виробництва

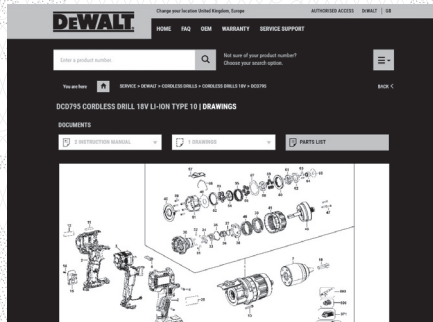
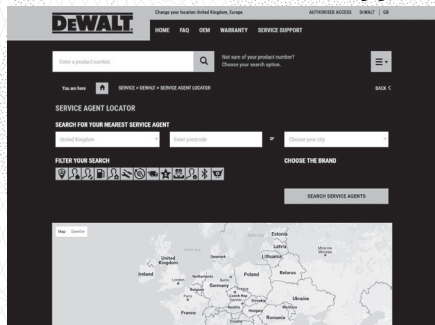
Найменування інструменту	
Модель	
Найменування продавця	
Дата продажу	

М.П.
Продавця

Інструмент	
Зарядний пристрій	
Акумулятор 1	
Акумулятор 2	

На сайті www.2helpU.com доступні наступні функції:

- Список авторизованих сервісних центрів
- Зручний пошук найближчого сервісного центру
- Керівництво з експлуатації
- Технічні характеристики
- Список деталей і запасних частин
- Схема складання інструменту



Також дану інформацію ви можете отримати, зателефонувавши за номером:
0 (800) 211 521 в Україні

ВІДМІТКА ПРО ПРОВЕДЕННЯ СЕРВІСНОГО ОБСЛУГОВУВАННЯ

№1	№2	№3	№4
№ замовлення	№ замовлення	№ замовлення	№ замовлення
Дата прийому	Дата прийому	Дата прийому	Дата прийому
Дата ремонту	Дата ремонту	Дата ремонту	Дата ремонту

Печатка і підпис сервісного центру

Печатка і підпис сервісного центру

Печатка і підпис сервісного центру

Печатка і підпис сервісного центру