

# **DEWALT®**

**D25032**

**D25033**

**D25133**

**D25134**

**D25143**

**D25144**

**D25263**

xxx UK

Переклад оригінальних інструкцій

---

**English (original instructions)**

**6**

**Українська (переклад оригінальних інструкцій)**

**14**

Fig. / Рис. А

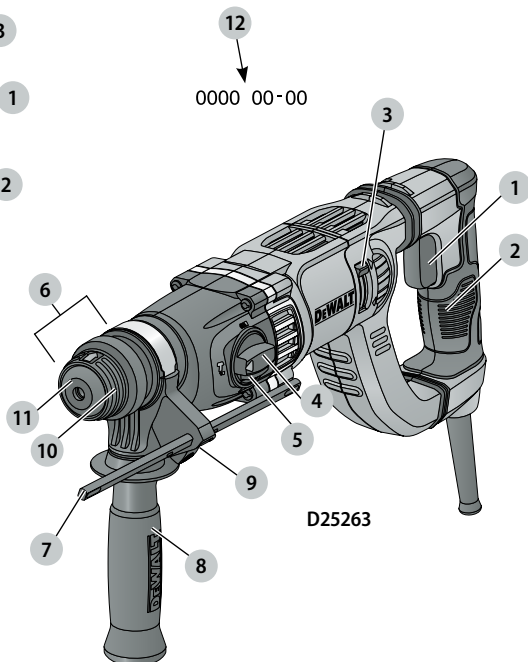
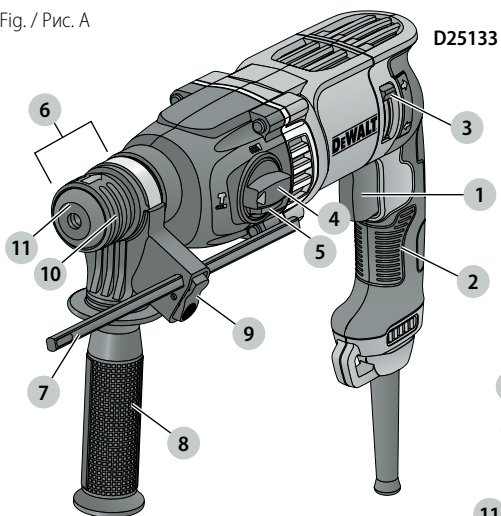


Fig. / Рис. В

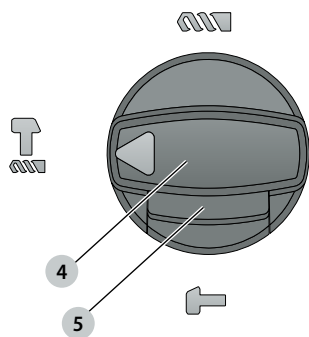


Fig. / Рис. С

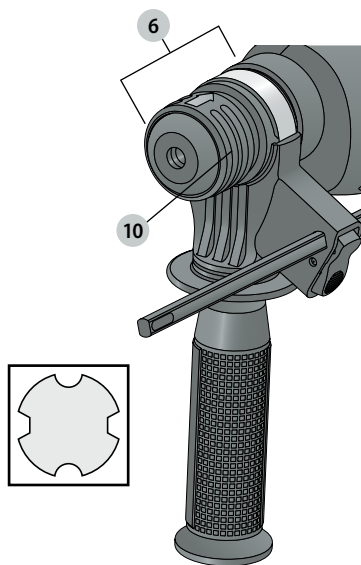


Fig. / Рис. D

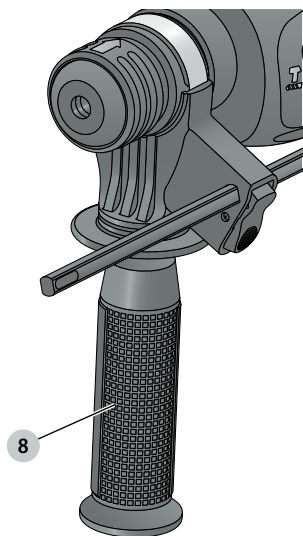


Fig. / Рис. E

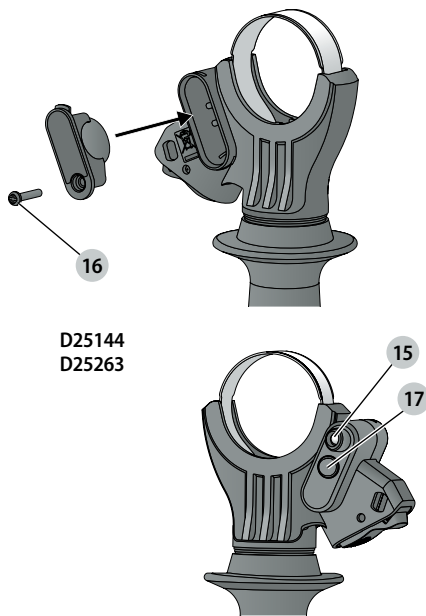


Fig. / Рис. F

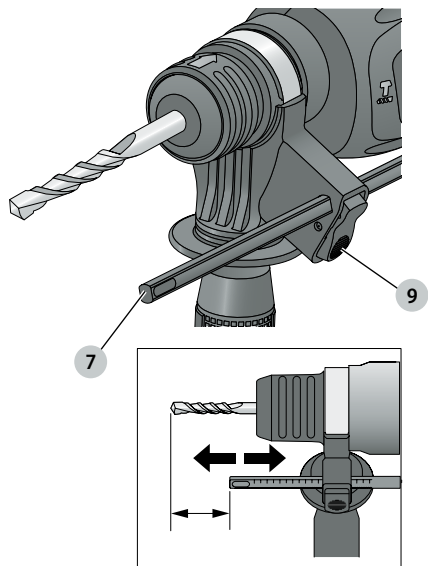


Fig. / Рис. G

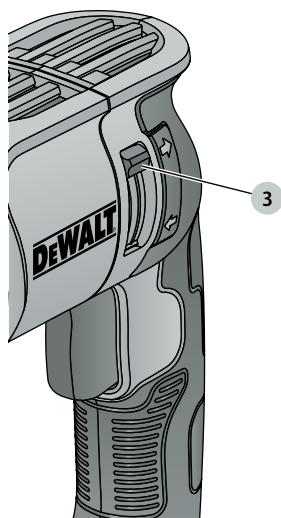


Fig. / Рис. H

D25134  
D25144

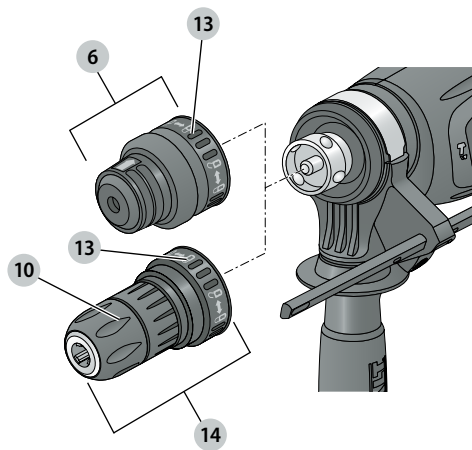
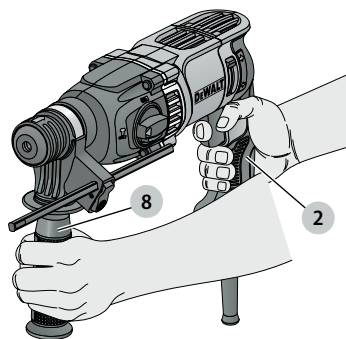


Fig. / Рис. I



# HEAVY-DUTY ROTARY HAMMERDRILL

## D25032, D25033, D25133, D25134, D25143, D25144, D25263

### Congratulations!

You have chosen a DEWALT tool. Years of experience, thorough product development and innovation make DEWALT one of the most reliable partners for professional power tool users.

### Technical Data

		D25032	D25033	D25133	D25134	D25143	D25144	D25263
Voltage	V	230	230	230	230	230	230	230
(UK & Ireland only)		230/115	230/115	230/115	230/115	230/115	230/115	230/115
Type		1/10	1/10	1/10	1/10	1	1/10	1
Frequency	Hz	50	50	50	50	50	50	50
Power input	W	710	710	800	800	900	900	900
No-load speed	min <sup>-1</sup>	0–1550	0–1550	0–1500	0–1500	0–1450	0–1450	0–1450
No-load beats per min	bpm	0–5680	0–5680	0–5500	0–5540	0–5350	0–5350	0–5350
Single impact energy (EPTA 05/2009)	J	2.0	2.0	2.6	2.8	3.0	3.0	3.0
Maximum drilling range in steel/wood/concrete	mm	13/30/22	13/30/22	13/30/26	13/30/26	13/30/28	13/30/28	13/30/28
Chisel positions	—	—	44	44	48	48	48	48
Core drilling capacity in soft brick	mm	50	50	50	65	65	65	65
Tool holder		SDS Plus	SDS Plus	SDS Plus	SDS Plus	SDS Plus	SDS Plus	SDS Plus
Collar diameter	mm	43	43	43	54	54	54	54
Weight	kg	2.5	2.5	2.6	3.0	3.1	3.1	3.1

Noise values and vibration values (triax vector sum) according to EN60745-2-6:

$L_{PA}$ (emission sound pressure level)	dB(A)	87	87	89	90	91	91	91
$L_{WA}$ (sound power level)	dB(A)	98	98	100	101	102	102	102
$K_{WA}$ (uncertainty for the given sound level)	dB(A)	3	3	3	3	3	3	3
Drilling into metal								
Vibration emission value $a_{h,D} =$	m/s <sup>2</sup>	<2.5	<2.5	<2.5	<2.5	<2.5	<2.5	<2.5
Uncertainty K =	m/s <sup>2</sup>	1.5	1.5	1.5	1.5	1.5	1.5	1.5
Drilling into concrete								
Vibration emission value $a_{h,HD} =$	m/s <sup>2</sup>	13.6	13.6	15.4	15.7	14.9	14.9	9.8
Uncertainty K =	m/s <sup>2</sup>	1.5	1.5	1.5	1.5	1.5	1.5	1.5
Chiselling								
Vibration emission value $a_{h,Cheq} =$	m/s <sup>2</sup>	—	12.5	14.9	14.3	13.8	13.8	8.1
Uncertainty K =	m/s <sup>2</sup>	—	1.5	1.5	1.5	1.5	1.5	1.5
Screwdriving without impact								
Vibration emission value $a_h =$	m/s <sup>2</sup>	<2.5	<2.5	<2.5	<2.5	<2.5	<2.5	<2.5
Uncertainty K =	m/s <sup>2</sup>	1.5	1.5	1.5	1.5	1.5	1.5	1.5

The vibration emission level given in this information sheet has been measured in accordance with a standardised test given in EN60745 and may be used to compare one tool with another. It may be used for a preliminary assessment of exposure.



**WARNING:** The declared vibration emission level represents the main applications of the tool. However if the tool is used for different applications, with different

accessories or poorly maintained, the vibration emission may differ. This may significantly increase the exposure level over the total working period.

An estimation of the level of exposure to vibration should also take into account the times when the tool is switched off or when it is running but not actually doing the job. This

may significantly reduce the exposure level over the total working period.

Identify additional safety measures to protect the operator from the effects of vibration such as: maintain the tool and the accessories, keep the hands warm, organisation of work patterns.

## EC-Declaration of Conformity

### Machinery Directive



### Heavy-Duty Rotary Hammerdrill D25032, D25033, D25133, D25134, D25143, D25144, D25263

DEWALT declares that these products described under **Technical Data** are in compliance with:

2006/42/EC, EN60745-1:2009+A11:2010, EN60745-2-6:2010.

These products also comply with Directive 2014/30/EU and 2011/65/EU. For more information, please contact DEWALT at the following address or refer to the back of the manual.

The undersigned is responsible for compilation of the technical file and makes this declaration on behalf of DEWALT.

Markus Rompel  
Director Engineering  
DEWALT, Richard-Klinger-Straße 11,  
D-65510, Idstein, Germany  
27.03.2017



**WARNING:** To reduce the risk of injury, read the instruction manual.

## Definitions: Safety Guidelines

The definitions below describe the level of severity for each signal word. Please read the manual and pay attention to these symbols.



**DANGER:** Indicates an imminently hazardous situation which, if not avoided, **will** result in **death or serious injury**.



**WARNING:** Indicates a potentially hazardous situation which, if not avoided, **could** result in **death or serious injury**.



**CAUTION:** Indicates a potentially hazardous situation which, if not avoided, **may** result in **minor or moderate injury**.

**NOTICE:** Indicates a practice **not related to personal injury** which, if not avoided, **may** result in **property damage**.



Denotes risk of electric shock.



Denotes risk of fire.

## General Power Tool Safety Warnings



**WARNING:** Read all safety warnings, instructions, illustrations and specifications provided with this power tool. Failure to follow all instructions listed below may result in electric shock, fire and/or serious injury.

## SAVE ALL WARNINGS AND INSTRUCTIONS FOR FUTURE REFERENCE

The term "power tool" in the warnings refers to your mains-operated (corded) power tool or battery-operated (cordless) power tool.

### 1) Work area safety

- Keep work area clean and well lit.** Cluttered or dark areas invite accidents.
- Do not operate power tools in explosive atmospheres, such as in the presence of flammable liquids, gases or dust.** Power tools create sparks which may ignite the dust or fumes.
- Keep children and bystanders away while operating a power tool.** Distractions can cause you to lose control.

### 2) Electrical safety

- Power tool plugs must match the outlet. Never modify the plug in any way. Do not use any adapter plugs with earthed (grounded) power tools.** Unmodified plugs and matching outlets will reduce risk of electric shock.
- Avoid body contact with earthed or grounded surfaces such as pipes, radiators, ranges and refrigerators.** There is an increased risk of electric shock if your body is earthed or grounded.
- Do not expose power tools to rain or wet conditions.** Water entering a power tool will increase the risk of electric shock.
- Do not abuse the cord. Never use the cord for carrying, pulling or unplugging the power tool. Keep cord away from heat, oil, sharp edges or moving parts.** Damaged or entangled cords increase the risk of electric shock.
- When operating a power tool outdoors, use an extension cord suitable for outdoor use.** Use of a cord suitable for outdoor use reduces the risk of electric shock.
- If operating a power tool in a damp location is unavoidable, use a residual current device (RCD) protected supply.** Use of an RCD reduces the risk of electric shock.

### 3) Personal safety

- Stay alert, watch what you are doing and use common sense when operating a power tool. Do not use a power tool while you are tired or under the influence of drugs, alcohol or medication.** A moment of inattention while operating power tools may result in serious personal injury.
- Use personal protective equipment. Always wear eye protection.** Protective equipment such as dust mask, non-

skid safety shoes, hard hat, or hearing protection used for appropriate conditions will reduce personal injuries.

- c) **Prevent unintentional starting. Ensure the switch is in the off position before connecting to power source and/or battery pack, picking up or carrying the tool.** Carrying power tools with your finger on the switch or energising power tools that have the switch on invites accidents.
- d) **Remove any adjusting key or wrench before turning the power tool on.** A wrench or a key left attached to a rotating part of the power tool may result in personal injury.
- e) **Do not overreach. Keep proper footing and balance at all times.** This enables better control of the power tool in unexpected situations.
- f) **Dress properly. Do not wear loose clothing or jewellery. Keep your hair, clothing and gloves away from moving parts.** Loose clothes, jewellery or long hair can be caught in moving parts.
- g) **If devices are provided for the connection of dust extraction and collection facilities, ensure these are connected and properly used.** Use of dust collection can reduce dust-related hazards.

#### 4) Power tool use and care

- a) **Do not force the power tool. Use the correct power tool for your application.** The correct power tool will do the job better and safer at the rate for which it was designed.
- b) **Do not use the power tool if the switch does not turn it on and off.** Any power tool that cannot be controlled with the switch is dangerous and must be repaired.
- c) **Disconnect the plug from the power source and/or the battery pack from the power tool before making any adjustments, changing accessories, or storing power tools.** Such preventive safety measures reduce the risk of starting the power tool accidentally.
- d) **Store idle power tools out of the reach of children and do not allow persons unfamiliar with the power tool or these instructions to operate the power tool.** Power tools are dangerous in the hands of untrained users.
- e) **Maintain power tools. Check for misalignment or binding of moving parts, breakage of parts and any other condition that may affect the power tool's operation. If damaged, have the power tool repaired before use.** Many accidents are caused by poorly maintained power tools.
- f) **Keep cutting tools sharp and clean.** Properly maintained cutting tools with sharp cutting edges are less likely to bind and are easier to control.
- g) **Use the power tool, accessories and tool bits etc., in accordance with these instructions taking into account the working conditions and the work to be performed.** Use of the power tool for operations different from those intended could result in a hazardous situation.

#### 5) Service

- a) **Have your power tool serviced by a qualified repair person using only identical replacement parts.** This will ensure that the safety of the power tool is maintained.

### Additional Specific Safety Rules for Rotary Hammers

- **Wear ear protectors.** Exposure to noise can cause hearing loss.
- **Use auxiliary handles supplied with the tool.** Loss of control can cause personal injury.
- **Hold power tools by insulated gripping surfaces when performing an operation where the cutting tool may contact hidden wiring or its own cord.** Contact with a "live" wire will make exposed metal parts of the tool "live" and shock the operator.
- **Use clamps or other practical way to secure and support the workpiece to a stable platform.** Holding the work by hand or against your body is unstable and may lead to loss of control.
- **Wear safety goggles or other eye protection.** Hammering operations cause chips to fly. Flying particles can cause permanent eye damage. Wear a dust mask or respirator for applications that generate dust. Ear protection may be required for most applications.
- **Keep a firm grip on the tool at all times. Do not attempt to operate this tool without holding it with both hands.** It is recommended that the side handle be used at all times. Operating this tool with one hand will result in loss of control. Breaking through or encountering hard materials such as re-bar may be hazardous as well. Tighten the side handle securely before use.
- **Do not operate this tool for long periods of time.** Vibration caused by hammer action may be harmful to your hands and arms. Use gloves to provide extra cushion and limit exposure by taking frequent rest periods.
- **Do not recondition bits yourself.** Chisel reconditioning should be done by an authorized specialist. Improperly reconditioned chisels could cause injury.
- **Wear gloves when operating tool or changing bits.** Accessible metal parts on the tool and bits may get extremely hot during operation. Small bits of broken material may damage bare hands.
- **Never lay the tool down until the bit has come to a complete stop.** Moving bits could cause injury.
- **Do not strike jammed bits with a hammer to dislodge them.** Fragments of metal or material chips could dislodge and cause injury.
- **Slightly worn chisels can be resharpened by grinding.**
- **Keep the power cord away from the rotating bit. Do not wrap the cord around any part of your body.** An electric cord wrapped around a spinning bit may cause personal injury and loss of control.



**WARNING:** We recommend the use of a residual current device with a residual current rating of 30mA or less.



## Residual Risks

In spite of the application of the relevant safety regulations and the implementation of safety devices, certain residual risks cannot be avoided. These are:

- Impairment of hearing.
- Risk of personal injury due to flying particles.
- Risk of burns due to accessories becoming hot during operation.
- Risk of personal injury due to prolonged use.

## Electrical Safety

The electric motor has been designed for one voltage only. Always check that the power supply corresponds to the voltage on the rating plate.



Your DEWALT tool is double insulated in accordance with EN60745; therefore no earth wire is required.



**WARNING:** 115 V units have to be operated via a fail-safe isolating transformer with an earth screen between the primary and secondary winding.

If the supply cord is damaged, it must be replaced by a specially prepared cord available through the DEWALT service organisation.

## Mains Plug Replacement (U.K. & Ireland Only)

If a new mains plug needs to be fitted:

- Safely dispose of the old plug.
- Connect the brown lead to the live terminal in the plug.
- Connect the blue lead to the neutral terminal.



**WARNING:** No connection is to be made to the earth terminal.

Follow the fitting instructions supplied with good quality plugs. Recommended fuse: 13 A.

## Using an Extension Cable

An extension cord should not be used unless absolutely necessary. Use an approved extension cable suitable for the power input of your charger (see **Technical Data**). The minimum conductor size is 1.5 mm<sup>2</sup>; the maximum length is 30 m.

When using a cable reel, always unwind the cable completely.

## Package Contents

The package contains:

- 1 Heavy-duty rotary hammerdrill
- 1 Side handle
- 1 Depth adjustment rod
- 1 Keyless chuck (D25134, D25144)
- 1 Instruction manual
- Check for damage to the tool, parts or accessories which may have occurred during transport.
- Take the time to thoroughly read and understand this manual prior to operation.

## Markings on Tool

The following pictograms are shown on the tool:



Read instruction manual before use.



Wear ear protection.



Wear eye protection.

## Date Code Position (Fig. A)

The date code **12**, which also includes the year of manufacture, is printed into the housing.

Example:

2017 XX XX

Year of Manufacture

## Description (Fig. A, E, H)



**WARNING:** Never modify the power tool or any part of it. Damage or personal injury could result.

- 1 Variable speed switch
- 2 Main handle
- 3 Forward/Reverse lever
- 4 Mode selector
- 5 Mode selector button
- 6 SDS Plus tool holder
- 7 Depth adjustment rod
- 8 Side handle
- 9 Depth rod button
- 10 Sleeve
- 11 Dust cover
- 12 Date code
- 13 Locking collar (D25134, D25144)
- 14 Keyless chuck (D25134, D25144)
- 15 Side handle work light (D25144, D25263)
- 16 Battery door screw (D25144, D25263)
- 17 On/off light button (D25144, D25263)

## Intended Use

The D25032 heavy-duty rotary hammer has been designed for professional drilling, hammerdrilling, and screwdriving. The D25033, D25133, D25134, D25143, D25144 and D25263 heavy-duty rotary hammers have been designed for professional drilling, hammerdrilling, screwdriving and light chipping.

**DO NOT** use under wet conditions or in the presence of flammable liquids or gases.

These hammerdrills are professional power tools.

**DO NOT** let children come into contact with the tool. Supervision is required when inexperienced operators use this tool.

- **Young children and the infirm.** This appliance is not intended for use by young children or infirm persons without supervision.

- This product is not intended for use by persons (including children) suffering from diminished physical, sensory or mental abilities; lack of experience, knowledge or skills unless they are supervised by a person responsible for their safety. Children should never be left alone with this product.

## Torque Limiting Clutch

All rotary hammerdrills are equipped with a torque limiting clutch that reduces the maximum torque reaction transmitted to the operator in case of jamming of a drill bit. This feature also prevents the gearing and electric motor from stalling. The torque limiting clutch has been factory-set and cannot be adjusted.

## ASSEMBLY AND ADJUSTMENTS



**WARNING:** To reduce the risk of serious personal injury, turn tool off and disconnect tool from power source before making any adjustments or removing/installing attachments or accessories. Be sure the trigger switch is in the OFF position. An accidental start-up can cause injury.

## Selecting the Operating Mode (Fig. B)

The tool can be used in the following operating modes:



Rotary drilling: for screwdriving and for drilling into steel, wood and plastics



Hammerdrilling: for concrete and masonry drilling operations.  
Bit rotation: non-working position used only to rotate a flat chisel into the desired position



Hammering only (D25033, D25133, D25134, D25143, D25144, D25263): for light chipping, chiselling and demolition applications. In this mode the tool can also be used as a lever to free a jammed drill bit.

1. To select the operating mode, press the mode selector button **5** and rotate the mode selector switch **4** until it points to the symbol of the required mode.
2. Release the mode selector button and check that the mode selector switch is locked in place.



**WARNING:** Do not select the operating mode when the tool is running.

## Indexing the Chisel Position (Fig. B)

The chisel can be indexed and locked into different positions.

1. Press the mode selector button **5** and rotate the mode selector switch **4** until it points to the "bit rotation/hammerdrilling" position.
2. Rotate the chisel to the desired position.
3. Set the mode selector switch **4** to the "hammering only" position.
4. Twist the chisel until it locks in position.

## Inserting and Removing SDS Plus Accessories (Fig. C)

This tool uses SDS Plus accessories (refer to the inset in Fig. C for a cross-section of an SDS Plus bit shank). We recommend using professional accessories only.

1. Clean and grease the bit shank.
2. Insert the bit shank into the SDS Plus tool holder **6**.
3. Push the bit down and turn it slightly until it fits into the slots.
4. Pull on the bit to check if it is properly locked. The hammering function requires the bit to be able to move axially several centimetres when locked in the tool holder.
5. To remove a bit, pull back the tool holder sleeve **10** and pull out the bit.



**WARNING:** Always wear gloves when you change accessories. The exposed metal parts on the tool and accessory may become extremely hot during operation.

## Fitting the Side Handle (Fig. D)

The side handle **8** can be fitted to suit both right-handed and left-handed users.



**WARNING:** Do not use the tool without the side handle properly assembled.

1. Loosen the side handle.
2. **For right-handed users:** Slide the side handle clamp over the collar behind the tool holder, handle at the left.  
**For left-handed-users:** Slide the side handle clamp over the collar behind the tool holder, handle at the right.
3. Rotate the side handle to the desired position and tighten the handle.

## Side Handle Work light (Fig. E)

### D25144, D25263

The side handle on the D25144 and D25263 has a work light **15**. The light is battery powered and operated by using the on/off button **17**.

To replace the worklight's batteries (CR2032 x 2):

1. Remove battery door screw **16** as shown in Figure E.
2. Replace the battery with the positive face pointing outwards.
3. Close the battery compartment and secure the screw.

## Setting the Drilling Depth (Fig. F)

1. Insert the required drill bit as described above.
2. Press the depth rod button **9** and keep it depressed.
3. Fit the depth adjustment rod **7** through the hole in the depth stop clamp.
4. Adjust the drilling depth as shown.
5. Release the depth stop clamp.

## Reversing Lever (Fig. G)

The forward/reverse lever **3** is used to reverse the rotation of the hammer for backing out fasteners or jammed bits in the drill-only function.

**CAUTION:** When reversing to clear jammed bits, be ready for strong reactive torque.

To reverse the hammer, turn it off and align the forward/reverse lever **3** with the yellow arrow pointing backward.

To position the lever for forward operation, turn the hammer off and align the forward/reverse lever **3** with the yellow arrow pointing forward.

## Fitting the Chuck Adapter and Chuck

### Optional Accessory

#### D25032, D25033, D25133, D25143, D25263

1. Screw the chuck onto the threaded end of the chuck adapter.
2. Insert the connected chuck and adapter in the tool as though it were a standard SDS Plus bit.
3. To remove the chuck, proceed as for removing a standard SDS Plus bit.

**WARNING:** Never use standard chucks in the hammerdrilling mode.

## Replacing the SDS Plus Tool Holder with the Keyless Chuck (Fig. H)

#### D25134, D25144

1. Turn the locking collar **13** into the unlocking position and pull the SDS Plus Tool Holder **6** off.
2. Push the keyless chuck **14** onto the spindle and turn the locking collar **13** to the locking position.

To replace the keyless chuck with the SDS Plus tool holder, first remove the keyless chuck the same way the tool holder was removed. Then place the tool holder the same way the keyless chuck was placed, making sure to turn the locking collar to the locking position.

**WARNING:** Never use standard chucks in the hammerdrilling mode.

## Replacing the Dust Cover (Fig. A)

The dust cover **11** prevents dust ingress into the mechanism. Replace a worn dust cover immediately.

1. Pull back the tool holder locking sleeve **10** and pull the dust cover **11** off.
2. Fit the new dust cover.
3. Release the tool holder locking sleeve.

## OPERATION

### Instructions for Use

**WARNING:** Always observe the safety instructions and applicable regulations.

**WARNING:** To reduce the risk of serious personal injury, turn tool off and disconnect tool from power source before making any adjustments or removing/installing attachments or accessories. Be sure the trigger switch is in the OFF position. An accidental start-up can cause injury.

**WARNING:**

- Always observe the safety instructions and applicable regulations.
- Be aware of the location of pipework and wiring.
- Apply only a gentle pressure to the tool (approx. 5 kg). Excessive force does not speed up drilling but decreases tool performance and may shorten tool life.
- Do not drill or drive too deep to prevent damage to the dust cover.
- Always hold the tool firmly with both hands and ensure a secure stance (Fig. I). Always operate the tool with the side handle properly mounted.

## Proper Hand Position (Fig. I)

**WARNING:** To reduce the risk of serious personal injury, ALWAYS use proper hand position as shown.

**WARNING:** To reduce the risk of serious personal injury, ALWAYS hold securely in anticipation of a sudden reaction.

Proper hand position requires one hand on the side handle **8**, with the other hand on the main handle **2**.

## Switching On and Off (Fig. A)

1. To run the tool, press the variable speed switch **1**. The pressure exerted on the variable speed switch determines the tool speed.
2. For continuous operation, press and hold down the variable speed switch.
3. To stop the tool, release the switch.

## Hammerdrilling (Fig. A)

### Drilling with a Solid Bit

1. Hold down the mode selector button **5** then set the mode selector switch **4** to the hammerdrilling position.
2. Insert the appropriate drill bit.  
**NOTE:** For best results use high quality carbide-tipped bits.
3. Adjust the side handle **8** as required.
4. If necessary, set the drilling depth.
5. Mark the spot where the hole is to be drilled.
6. Place the drill bit on the spot and switch on the tool.
7. Always switch off the tool when work is finished and before unplugging.

### Drilling with a Core Bit

1. Hold down the mode selector button **5** then set the mode selector switch **4** to the hammerdrilling position.
2. Adjust the side handle **8** as required.
3. Insert the appropriate core bit.
4. Assemble the centerdrill into the core bit.
5. Place the centerdrill on the spot and press the on/off switch **1**. Drill until the core penetrates into the concrete approx. 1 cm.
6. Stop drilling and remove the centerdrill. Place the core bit back into the hole and continue drilling.

- When drilling through a structure thicker than the depth of the core bit, break away the round cylinder of concrete or core inside the bit at regular intervals. To avoid unwanted breaking away of concrete around the hole, first drill a hole the diameter of the center drill completely through the structure. Then drill the cored hole halfway from each side.
- Always switch off the tool when work is finished and before unplugging.

## Rotary Drilling (Fig. A)

- Hold down the mode selector button **5** then set the mode selector switch **4** to the "rotary drilling" position.
- Depending on your tool, follow either of the following instructions:
  - D25032, D25033, D25133, D25143, D25263:** Fit the chuck adapter/chuck assembly.
  - D25134, D25144:** Replace the SDS Plus tool holder with the keyless chuck.
- Proceed as described for hammerdrilling.



**WARNING:** Never use standard chucks in the hammerdrilling mode.

## Screwdriving (Fig. A)

- Hold down the mode selector button **5** then set the mode selector switch **4** to the rotary drilling position.
- Select the direction of rotation.
- Depending on your tool, follow either of the following instructions:
  - D25032, D25033, D25133, D25143, D25263:** Insert the special SDS Plus screwdriving adaptor for use with hexagonal screwdriver bits.
  - D25134, D25144:** Replace the SDS Plus tool holder with the keyless chuck
- Insert the appropriate screwdriver bit. When driving slotted head screws always use bits with a finder sleeve.
- Gently press the variable speed switch **1** to prevent damage to the screw head. In reverse (LH) rotation the tool speed is automatically reduced for easy screw removal.
- When the screw is flush with the workpiece, release the variable speed switch to prevent the screw head from penetrating into the workpiece.

## Chipping and Chiselling (Fig. A)

### D25033, D25133, D25134, D25143, D25144, D25263

- Hold down the mode selector button **5** then set the mode selector switch **4** to the "hammering only" position.
- Insert the appropriate chisel and rotate it by hand to lock it into position.
- Adjust the side handle **8** as required.
- Switch on the tool and start working.
- Always switch off the tool when work is finished and before unplugging.



### WARNING:

- Do not use this tool to mix or pump easily combustible or explosive fluids (benzine, alcohol, etc.).
- Do not mix or stir in flammable liquids labelled accordingly.

## MAINTENANCE



Your DEWALT power tool has been designed to operate over a long period of time with a minimum of maintenance. Continuous satisfactory operation depends upon proper tool care and regular cleaning. **WARNING:** To reduce the risk of serious personal injury, turn tool off and disconnect tool from power source before making any adjustments or removing/installing attachments or accessories. Be sure the trigger switch is in the OFF position. An accidental start-up can cause injury.

- This machine is not user-serviceable. Take the tool to an authorised DEWALT repair agent after approximately 40 hours of use. If problems occur before this time contact an authorised DEWALT repair agent.
- The tool will automatically switch off when the carbon brushes are worn.

## Motor Brushes

DEWALT uses an advanced brush system which automatically stops the drill when the brushes wear out. This prevents serious damage to the motor. New brush assemblies are available at authorised DEWALT service centers. Always use identical replacement parts.



## Lubrication

Your power tool requires no additional lubrication.

Accessories and attachments used must be regularly lubricated around the SDS Plus fitment.



## Cleaning



**WARNING:** Blow dirt and dust out of the main housing with dry air as often as dirt is seen collecting in and around the air vents. Wear approved eye protection and approved dust mask when performing this procedure.



**WARNING:** Never use solvents or other harsh chemicals for cleaning the non-metallic parts of the tool. These chemicals may weaken the materials used in these parts. Use a cloth dampened only with water and mild soap. Never let any liquid get inside the tool; never immerse any part of the tool into a liquid.

## Optional Accessories



**WARNING:** Since accessories, other than those offered by DEWALT, have not been tested with this product, use of such accessories with this tool could be hazardous. To reduce the risk of injury, only DEWALT recommended accessories should be used with this product.

Various types of SDS Plus drill bits and chisels are available as an option.

Consult your dealer for further information on the appropriate accessories.

## Protecting the Environment



Separate collection. Products and batteries marked with this symbol must not be disposed of with normal household waste.



Products and batteries contain materials that can be recovered or recycled reducing the demand for raw materials. Please recycle electrical products and batteries according to local provisions. Further information is available at [www.2helpU.com](http://www.2helpU.com).

# РОТОРНИЙ ПЕРФОРАТОР ДЛЯ ВАЖКИХ УМОВ РОБОТИ

## D25032, D25033, D25133, D25134, D25143, D25144, D25263

### Вітаємо вас!

Ви обрали інструмент DeWALT. Великий досвід компанії у розробці інструментів та постійна робота над їх вдосконаленням роблять компанію DeWALT надійним партнером професійних користувачів.

### Технічні характеристики

		D25032	D25033	D25133	D25134	D25143	D25144	D25263
Напруга	B	230	230	230	230	230	230	230
	(Лише Великобританія та Ірландія)	230/115	230/115	230/115	230/115	230/115	230/115	230/115
Тип		1/10	1/10	1/10	1/10	1	1/10	1
Частота	Гц	50	50	50	50	50	50	50
Вхідна потужність	Вт	710	710	800	800	900	900	900
Швидкість без навантаження	хв. <sup>-1</sup>	0-1550	0-1550	0-1500	0-1500	0-1450	0-1450	0-1450
Ударів за хв. без навантаження	уд./хв.	0-5680	0-5680	0-5500	0-5540	0-5350	0-5350	0-5350
Одиниця ударної енергії (ЕРТА 05/2009)	J	2,0	2,0	2,6	2,8	3,0	3,0	3,0
Максимальний діапазон свердління металу/дерева/бетону	мм	13/30/22	13/30/22	13/30/26	13/30/26	13/30/28	13/30/28	13/30/28
Положення долота		—	44	44	48	48	48	48
Максимальний діаметр буріння м'якої цегли	мм	50	50	50	65	65	65	65
Тримач інструменту		SDS Plus	SDS Plus	SDS Plus	SDS Plus	SDS Plus	SDS Plus	SDS Plus
Діаметр затискової муфти	мм	43	43	43	54	54	54	54
Вага	кг	2,5	2,5	2,6	3,0	3,1	3,1	3,1

Значення рівня шуму та вібрації (триаксимальна векторна сума) відповідно до стандарту EN60745-2-6:

$L_{PA}$ (рівень тиску звукового випромінювання)	дБ(A)	87	87	89	90	91	91	91
$L_{WA}$ (рівень звукової потужності)	дБ(A)	98	98	100	101	102	102	102
$K_{WA}$ (похибка для даного рівня гучності)	дБ(A)	3	3	3	3	3	3	3
Свердління металу								
Значення вібрації $a_{h,D}$ =	м/с <sup>2</sup>	<2,5	<2,5	<2,5	<2,5	<2,5	<2,5	<2,5
Похибка K =	м/с <sup>2</sup>	1,5	1,5	1,5	1,5	1,5	1,5	1,5
Свердління бетону								
Значення вібрації $a_{h,D}$ =	м/с <sup>2</sup>	13,6	13,6	15,4	15,7	14,9	14,9	9,8
Похибка K =	м/с <sup>2</sup>	1,5	1,5	1,5	1,5	1,5	1,5	1,5
Робота долотом								
Значення вібрації $a_{h,Чепч}$ =	м/с <sup>2</sup>	—	12,5	14,9	14,3	13,8	13,8	8,1
Похибка K =	м/с <sup>2</sup>	—	1,5	1,5	1,5	1,5	1,5	1,5
Закручування шурупів без удару								
Значення вібрації $a_h$ =	м/с <sup>2</sup>	<2,5	<2,5	<2,5	<2,5	<2,5	<2,5	<2,5
Похибка K =	м/с <sup>2</sup>	1,5	1,5	1,5	1,5	1,5	1,5	1,5

Значення вібрації, що наведено в цьому документі, було виміряне згідно зі стандартизованим тестом, викладеним у стандарті EN60745, та може використовуватись для порівняння інструментів. Це значення вібрації можна також використовувати для попередньої оцінки впливу вібрації.



**УВАГА!** Задеклароване значення вібрації відповідає основному використанню інструменту. Але якщо інструмент використовується для виконання інших завдань, з іншими витратними матеріалами/аксесуарами або погано обслуговується, значення

вібрації може відрізнятись. Це може значно збільшити рівень впливу протягом усього періоду роботи.

Оцінка рівню впливу вібрації має враховувати час вимкнень інструменту та роботу інструменту без виконання певних завдань. Це може значно збільшити рівень впливу протягом усього періоду роботи.

Визначення додаткових заходів безпеки для захисту оператора від впливу вібрації: технічне обслуговування інструменту та аксесуарів, утримання рук у теплі, організація режиму роботи.

## Декларація про відповідність ЄС ДИРЕКТИВА ДЛЯ МЕХАНІЧНОГО ОБЛАДНАННЯ



### Роторний перфоратор для важких умов роботи

**D25032, D25033, D25133, D25134,  
D25143, D25144, D25263**

Компанія DEWALT заявляє, що ці продукти, описані у розділі **Технічні дані** відповідають:

2006/42/EC, EN60745-1:2009+A11:2010, EN60745-2-6:2010.

Ці продукти також відповідають вимогам Директив 2014/30/EU і 2011/65/EU. Для отримання додаткової інформації, будь ласка, зверніться до компанії DEWALT за наступною адресою або прочитайте інформацію на зворотній стороні цього керівництва.

Нижчепідписаний несе відповідальність за упорядкування файлу технічних характеристик та робить цю заяву від імені компанії DEWALT.

Маркус Ромпель (Markus Rompel)

технічний директор

DEWALT, Richard-Klinger-Straße 11,  
D-65510, Idstein, Німеччина

27.03.2017



**УВАГА!** Важко прочитайте керівництво з експлуатації для зниження ризику отримання травм.

## Позначення: інструкції з техніки безпеки

Умовні позначення, що наведені нижче, описують рівень серйозності кожного попереджувального слова. Будь ласка, прочитайте керівництво та звертайте увагу на наступні символи.



**НЕБЕЗПЕКА!** Вказує на безпосередню загрозу, яка, якщо її не уникнути, **приведе до смерті або серйозної травми.**



**УВАГА!** Вказує на потенційну загрозу, яка, якщо її не уникнути, **може призвести до смерті або серйозної травми.**



**ОБЕРЕЖНО!** Вказує на потенційну загрозу, яка, якщо її не уникнути, **може призвести до травми незначної або середньої важкості.**

**ПРИМІТКА.** Вказує на ситуацію, **не пов'язану з особою травмою**, яка, якщо її не уникнути, **може призвести до пошкодження майна.**



Вказує на ризик ураження електричним струмом.



Вказує на ризик виникнення пожежі.

## Загальні правила безпеки для електричного інструменту



**УВАГА!** Прочитайте всі попередження та інструкції з техніки безпеки, а також рисунок та специфікації щодо цього електричного інструменту. Невиконання всіх інструкцій, що наведені нижче, може призвести до ураження електричним струмом, пожежі та/або серйозних травм.

### ЗБЕРЕЖІТЬ ВСІ ПОПЕРЕДЖЕННЯ ТА ІНСТРУКЦІЇ

### ДЛЯ ВИКОРИСТАННЯ В МАЙБУТНЬОМУ.

Термін «електричний інструмент» в усіх попередженнях стосується використовуваних вами інструментів, що працюють від мережі енергоспоживання (з використанням електричного кабелю) або акумуляторів (без кабелю).

### 1) Безпека робочої зони

- Тримайте робочу зону чистою та добре освітленою.** Неупорядковані та темні робочі зони збільшують ймовірність нещасного випадку.
- Не використовуйте електричні інструменти у вибухонебезпечній атмосфері, наприклад, в присутності вогненебезпечних рідин, газів та пилю.** Електричні інструменти створюють іскри, що можуть запалити пил або випаровування.
- Тримайте дітей та сторонніх подалі під час використання інструменту.** Відвернення уваги може призвести до втрати контролю.

### 2) Електрична безпека

- Вилка електричного інструменту має відповідати розетці. Ніколи жодним чином не змінюйте вилку. Не використовуйте адаптери із заземленими електричними інструментами.** Немодифіковані вилки та розетки, що підходять до них, зменшують ризик ураження електричним струмом.
- Уникайте контакту тіла з заземленими поверхнями, такими як труби, радіатори, плити та холодильники.** Якщо ваше тіло заземлене, збільшується ризик ураження електричним струмом.
- Не залишайте електричні інструменти під дощем або в умовах підвищеної вологості. Вода,**

що потрапляє в електричний інструмент, підвищує ризик ураження електричним струмом.

- d) **Не використовуйте кабелів живлення не за призначенням. Ніколи не використовуйте шнур для перенесення, витягування та відключення від розетки живлення електричного інструмента. Тримайте шнур подалі від високих температур, мастила, гострих предметів та рухомих деталей.** Пошкоджені або перекручені шнури підвищують ризик ураження електричним струмом.
- e) **При використанні електричного інструменту на вулиці, використовуйте подовжуючий шнур, що підходить для використання на вулиці.** Використання шнура, що призначений для використання поза приміщенням, знижує ризик ураження електричним струмом.
- f) **Якщо неможливо уникнути використання електричного інструменту в умовах підвищеної вологості, використовуйте живлення, захищене пристроєм залишкового струму (RCD).** Використання RCD знижує ризик ураження електричним струмом.

### 3) Особиста безпека

- a) **Будьте в стані готовності, дивіться, що ви робите, та використовуйте загальний глузд, коли ви працюєте з електричним інструментом. Не використовуйте електричний інструмент, коли ви втомлені або знаходитесь під впливом наркотичних речовин, алкоголю або ліків.** Втрата уваги під час роботи з електричним інструментами може призвести до серйозних травм.
- b) **Використовуйте особисті засоби безпеки. Завжди використовуйте засоби захисту очей.** Засоби безпеки, такі як протипилова маска, неслизькі безпечні черевики, захисний шолом та засоби захисту слухового апарату, які використані для відповідних умов, зменшують ймовірність особистих травм.
- c) **Уникнення випадкового запуску. Переконайтеся в тому, що вимикач знаходиться в позиції Вимк. перед підключенням до джерела живлення та/або акумулятора, переміщенням або перенесенням пристрою.** Перенесення інструменту, тримаючи палець на вимикачі, або підключення живлення з перемикачем в позиції Увімк. може призвести до нещасного випадку.
- d) **Зніміть всі налаштувальні ключі або гайкові ключі перед тим, як вмикати електричний інструмент.** Гайковий ключ, що залишився прикріпленим до якоїсь деталі електричного пристрою, що обертається, може призвести до травм.
- e) **Не перенапружуйтеся. Завжди утримуйте правильну постановку ніг і рівновагу.** Це дає

вам змогу краще контролювати інструмент в неочікуваних ситуаціях.

- f) **Вдягайтеся відповідним чином. Не вдягайте вільний одяг або прикраси. Тримайте ваше волосся, одяг та рукавички подалі від рухомих деталей.** Вільний одяг, прикраси або довге волосся може зачепитися за рухомі деталі.
- g) **Якщо передбачені пристрої для підключення до засобів виділення та збирання пилу, переконайтеся, що вони правильно підключені та використовуються.** Використання таких пристроїв зменшує ризик виникнення небезпечних ситуацій, що пов'язані з потраплянням пилу.

### 4) Використання та догляд за електричним інструментом

- a) **Не використовуйте надмірні зусилля при роботі з інструментом. Використовуйте відповідний електричний інструмент для вашого застосування.** Правильно обраний інструмент виконає завдання краще та безпечніше за умов, для яких він був розроблений.
- b) **Не використовуйте інструмент, вмикач якого не вмикає та не вмикає його.** Будь-який електричний інструмент, який не може управлятися вмикачем, є небезпечним і має бути відремонтований.
- c) **Відключіть вилку від джерела живлення перед тим, як робити будь-які налаштування, зміни додаткового обладнання чи зберігати інструмент.** Ці профілактичні заходи зменшують ризик випадкового запуску електричного інструменту.
- d) **Бережіть вимкнені електричні інструменти від дітей та не дозволяйте особам, що не знайомі з електричним інструментом або цими інструкціями використовувати електричний інструмент.** Електричні інструменти є небезпечними, якщо вони використовуються некваліфікованими користувачами.
- e) **Технічне обслуговування електричних інструментів. Перевіряйте на відсутність вирівнювання або заїдання рухомих деталей, ушкоджених частин та інших умов, що можуть впливати на роботу електричного інструменту. Якщо є ушкодження, відремонтуйте електричний інструмент перед використанням.** Багато нещасних випадків є результатом того, що інструмент не пройшов відповідного технічного обслуговування.
- f) **Тримайте ріжучі інструменти гострими та чистими.** Правильно доглянуті ріжучі інструменти з гострими ріжучими кромками мають меншу ймовірність заїдання, та ними легше керувати.
- g) **Використовуйте електричний інструмент, додаткові інструменти та деталі інструменту тощо у відповідності до цих**



**інструкцій та відповідно до даного типу електричних інструментів, зважаючи на умови використання та роботу, яка має бути виконана.** Використання електричних інструментів не за призначенням може призвести до виникнення небезпечних ситуацій.

## 5) Обслуговування

- a) **Надавайте ваш електричний інструмент для обслуговування кваліфікованим спеціалістом з ремонту та використовуйте тільки ідентичні замінні деталі.** Це забезпечить безпеку електричного пристрою, що обслуговується.

## Додаткові правила з техніки безпеки для роторних перфраторів

- **Використовуйте засоби захисту слуху.** Шум може викликати втрату слуху.
- **Використовуйте додаткові ручки, що надаються з інструментом.** Втрата контролю над інструментом може викликати травми.
- **Тримайте інструмент за ізольовану поверхню при виконанні операцій, коли ріжучий інструмент може торкнутися проводки або власного кабелю.** Контакт із кабелем під напругою зробить металеві деталі інструменту також зарядженими та може призвести до ураження струмом оператора.
- **Використовуйте затискач або інший спосіб закріплення деталі, що оброблюється, на стабільній платформі.** Утримування заготовки в руці та притискання її до тіла робить її нестабільною та може призвести до втрати контролю.
- **Використовуйте захисні окуляри або інші засоби захисту очей.** Під час використання перфратора може відлітати стружка. Частинки, що розлітаються, можуть спричинити незворотне пошкодження очей. Використовуйте протипилову маску або респіратор для виконання завдань з утворенням пилу. Для більшості робіт вимагаються засоби захисту органів слуху.
- **Постійно міцно тримайте інструмент. Не намагайтесь використовувати інструмент, тримаючи його лише однією рукою.** Рекомендовано постійно використовувати бокову ручку. Робота з інструментом, тримаючи його однією рукою, може призвести до втрати контролю. Пробовання або контакт з твердими матеріалами, наприклад, арматурним стрижнем, також може нести небезпеку. Перед використанням надійно затягніть бокову ручку.
- **Не використовуйте інструмент протягом тривалого часу.** Вібрація, спричинена перфратором, може бути шкідливою для ваших рук. Використовуйте рукавиці для захисту та обмежуйте вплив вібрації, роблячи часті перерви.
- **Не ремонтуйте насадок самостійно.** Ремонт насадок повинен виконуватися авторизованим спеціалістом

з ремонту. Неправильно відремонтоване долото може спричинити травму.

- **Використовуйте рукавиці при роботі з інструментом або зміні насадок.** Доступні металеві деталі інструменту та насадки можуть бути дуже гарячими під час роботи. Невеликі уламки матеріалів можуть травмувати незахищені руки.
- **Ніколи не кладіть інструмент, доки насадка повністю не зупиниться.** Рухомі насадки можуть спричинити травму.
- **Не вибивайте затиснені насадки молотком, щоб їх вивільнити.** Уламки металу або стружка можуть також відлітати і спричинити травми.
- **Дещо зношене долото можна заточити за допомогою шліфування.**
- **Утримуйте шнур живлення подалі від рухомих насадок. Не накручуйте шнур на будь-яку частину власного тіла.** Якщо електричний шнур накручується на насадку, що обертається, це може спричинити травму або втрату контролю.



**УВАГА!** Ми рекомендуємо використовувати пристрій із залишкового струму із залишковим струмом 30 mA або менше.

## Залишкові ризики

Навіть при виконанні всіх відповідних правил техніки безпеки та використанні пристроїв безпеки неможливо уникнути деяких залишкових ризиків. А саме:

- Порушення слуху.
- Ризик травм через летючі частинки.
- Ризик опіків через нагрівання аксесуарів під час роботи.
- Ризик травм через занадто тривале використання.

## Електрична безпека

Електричний двигун розроблений для роботи лише з одним значенням напруги. Завжди перевіряйте відповідність джерела живлення напрузі, яка вказана на таблиці з паспортними даними.



Ваш інструмент виробництва компанії DEWALT має подвійну ізоляцію відповідно до EN60745; тому заземлення не є необхідним.



**УВАГА!** Пристрої з напругою 115 В необхідно контролювати шляхом надійного розділового трансформатора з екраном заземлення між первинною та вторинною обмотками.

Якщо кабель живлення пошкоджений, його необхідно замінити на спеціальний кабель, який доступний через офіційні сервісні центри DEWALT.

## Заміна мережевої вилки (тільки для Великобританії та Ірландії)

Якщо нові шнури живлення мають бути прилаштовані:

- Зніміть стару вилку та утилізуйте її, дотримуючись правил техніки безпеки.
- Приєднайте коричневий провідник до активного виходу вилки.

- Приєднайте блакитний провідник до нейтрального виходу.



**УВАГА!** Жоден провідник не повинен бути підключений до клеми заземлення.

Дотримуйтесь інструкцій щодо налаштування, що поставляються з якісними вилками. Плавкий запобіжник, що рекомендується: 13 А.

## Використання електричного подовжувача

Використовуйте подовжуючий шнур лише за умови, що це абсолютно необхідно. Використовуйте лише рекомендований подовжуючий шнур, що відповідає споживаній потужності вашого зарядного пристрою (див. **Технічні дані**). Мінімальний розмір провідника становить 1,5 мм<sup>2</sup>; максимальна довжина — 30 м.

У разі використання кабельного барабану завжди витягуйте весь кабель.

## Комплект поставки

Комплект містить:

- 1 Роторний перфоратор для важких умов роботи
  - 1 Бокова ручка
  - 1 Шток налаштування глибини
  - 1 Безключовий патрон (D25134, D25144)
  - 1 Керівництво з експлуатації
- *Перевірте інструмент, деталі та аксесуари на пошкодження, що могли виникнути під час транспортування.*
  - *Перед використанням уважно прочитайте та повністю зрозумійте це керівництво.*

## Маркування інструменту

На інструменті є наступні піктограми:



Прочитайте інструкції цього керівництва перед використанням.



Використовуйте засоби захисту слуху.



Використовуйте засоби захисту очей.

## Розташування коду дати (рис. А)

Код дати **12**, що включає також рік виробництва, наноситься на корпус.

Приклад:

2017 XX XX

Рік виробництва

## Опис (рис. А, Е, Н)



**УВАГА!** Ніколи не модифікуйте електричні інструменти та їх деталі. Інакше вони можуть стати причиною пошкодження майна або травм.

- 1 Перемикач змінної швидкості
- 2 Основна ручка

- 3 Перемикач вперед/назад
- 4 Селектор режиму
- 5 Кнопка селектору режиму
- 6 Тримач інструменту SDS Plus
- 7 Шток налаштування глибини
- 8 Бокова ручка
- 9 Кнопка штоку налаштування глибини
- 10 Муфта
- 11 Пилозахисна кришка
- 12 Код дати
- 13 Затискна муфта (D25134, D25144)
- 14 Безключовий патрон (D25134, D25144)
- 15 Робоче підсвічування бокової ручки (D25144, D25263)
- 16 Гвинт батарейного відсіку (D25144, D25263)
- 17 Кнопка Увімк./Вимк. підсвічування (D25144, D25263)

## Область застосування

Ваш роторний перфоратор для важких умов роботи D25032 було розроблено для професійного свердління, буріння та використання в якості шурупокрута. Роторні перфоратори для важких умов роботи D25033, D25133, D25134, D25143, D25144 і D25263 розроблені для професійного свердління, буріння, використання в якості шурупокрута та неважкого дроблення.

**НЕ** використовуйте за умов підвищеної вологості або у присутності легкозаймистих рідин та газів.

Ці перфоратори призначені для професійного використання.

**НЕ** дозволяйте дітям підходити та торкатися інструмента.

При використанні інструменту недосвідченими операторами необхідний нагляд.

- **Діти та хворі люди.** Цей пристрій не призначений для використання дітьми та хворими людьми без нагляду.
- Цей виріб не призначений для використання особами (включаючи дітей) із зниженими фізичними, сенсорними або розумовими можливостями або особами, яким бракує досвіду або знань за винятком випадків, коли такі особи працюють під наглядом особи, яка несе відповідальність за їх безпеку. Не можна залишати дітей наодинці з цим пристроєм.

## Муфта обмеження крутного моменту

Муфта обмеження крутного моменту зменшує максимальний реактивний крутний момент, що передається оператору у випадку заїдання свердла. Ця функція також дозволяє уникнути заїдання передачі та електричного мотору. Муфта обмеження крутного моменту налаштована виробником, її неможливо налаштувати самостійно.

## ЗБИРАННЯ ТА НАЛАШТУВАННЯ



**УВАГА!** Щоб знизити ризик серйозних травм, вимкніть інструмент та відключіть його від мережі живлення перед виконанням будь-яких налаштувань або зніманням/встановленням насадок або аксесуарів. Переконайтесь, що вимикач знаходиться в положенні Вимк. Випадковий запуск може призвести до травм.

## Вибір режиму роботи

### (рис. В)

Цей інструмент має наступні режими роботи:



Роторне свердління: для вкручування шурупів та свердління металу, деревини та пластику.



Буріння: для свердління бетону та каменю.  
Поворот насадки: неробочий режим, призначений лише для повороту плоского долота у бажане положення.



Лише функція довбання (D25033, D25133, D25134, D25143, D25144, D25263): для неважкого дроблення, використання долота та руйнування конструкцій. У цьому режимі інструмент також можна використовувати в якості важеля для звільнення затисненого свердла.

- Для вибору робочого режиму натисніть кнопку селектору режиму **5** та поверніть селектор режимів **4** так, щоб він вказував на символ бажаного режиму.
- Відпустіть кнопку селектору режиму та переконайтесь, що перемикач селектору режиму заблокований на місці.



**УВАГА!** Не обирайте робочий режим під час роботи інструменту.

## Регулювання положення долота (рис. В)

Цей інструмент дозволяє встановити і зафіксувати долото у різних положеннях.

- Натисніть кнопку селектору режиму **5** та поверніть селектор режимів **4** так, щоб він вказував на положення «поворот насадки/ударне свердління».
- Поверніть долото у необхідну позицію.
- Встановіть перемикач селектору режиму **4** у положення «лише довбання».
- Поверніть долото у бік потрібного положення.

## Установка та зняття насадок SDS Plus

### (рис. С)

З цим інструментом використовують насадки SDS Plus (см. вставку на рис. С: поперековий перетин хвостовика долота SDS Plus). Ми рекомендуємо використовувати лише професійні аксесуари.

- Очистіть та змстіть хвостовик насадки.
- Вставте хвостовик у тримач інструменту SDS Plus **6**.
- Натисніть на свердел та злегка поверніть його так, щоб він увійшов в отвори.
- Потягніть за насадку, щоб переконатися, що вона добре зафіксована. Функція удару вимагає, щоб насадка рухалася по осі на кілька сантиметрів після того, як вона заблокована у тримачі інструменту.
- Щоб зняти насадку, потягніть назад муфту **10** тримача інструменту та витягніть свердел.



**УВАГА!** Завжди використовуйте рукавиці при зміні насадок. Відкриті металеві деталі інструменту та насадки можуть бути дуже гарячими під час роботи.

## Установка бокової ручки (рис. D)

Бокова ручка **8** може бути встановлена так, щоб бути зручною для використання як правою, так і лівою рукою.



**УВАГА!** Не використовуйте інструмент без правильно встановленої бокової ручки.

- Відпустіть бокову ручку.
- Для використання правою робочою рукою:** встановіть затискач бокової ручки на муфті за тримачем інструменту, розташовуючи ручку зліва.  
**Для використання лівою робочою рукою:** встановіть затискач бокової ручки на муфті за тримачем інструменту, розташовуючи ручку справа.
- Поверніть бокову ручку у бажане положення та затягніть її.

## Робоче підсвічування бокової ручки

### (рис. E)

#### D25144, D25263

Бокова ручка інструментів D25144 і D25263 оснащена робочим підсвічуванням **15**. Підсвічування працює від батарейки та вмикається/вимикається відповідною кнопкою **17**.

Заміна батарейок робочого підсвічування (CR2032 x 2):

- Зніміть гвинт кришки батарейного відсіку **16**, як показано на рис. E.
- Замініть батарейку так, щоб плюс був направлений назовні.
- Закрийте батарейний відсік та зафіксуйте його гвинтом.

## Встановлення глибини свердління (рис. F)

- Встановіть необхідний свердел, як показано вище.
- Натисніть кнопку штоку налаштування глибини **9** та тримайте її натисненою.
- Встановіть шток налаштування глибини **7** через отвір у затискачі обмежувача глибини.
- Налаштуйте глибину свердління, як показано.
- Відпустіть затискач обмежувача глибини.

## Перемикач реверса (рис. G)

Перемикач вперед/назад **3** використовується для встановлення зворотного напрямку обертання перфоратора для опори затискачів або затиснених насадок в режимі «лише свердління».



**ОБЕРЕЖНО!** Перш ніж змінити напрямок обертання для звільнення затиснених насадок, підготуйтесь до потужного крутного моменту.

Щоб змінити напрямок перфоратора, вимкніть його та встановіть перемикач вперед/назад **3** на жовту стрілку, що вказує назад.

Щоб встановити перемикач на положення руху вперед, вимкніть перфторатор та встановіть перемикач вперед/назад **3** на жовту стрілку, що вказує вперед.

## Встановлення адаптера патрона и патрона

### Додаткові аксесуари

#### **D25032, D25033, D25133, D25143, D25263**

1. Прикрутіть патрон на адаптер зі сторони різьблення.
2. Встановіть підключений патрон та адаптер на інструмент, як стандартну насадку SDS Plus.
3. Знімати патрон потрібно так само, як стандартну насадку SDS Plus.



**УВАГА!** Ніколи не використовуйте стандартні патрони в режимі ударного свердління.

## Заміна тримача інструменту SDS Plus безключовим патроном (рис. Н)

#### **D25134, D25144**

1. Поверніть затискну муфту **13** у положення розблокування та витягніть тримач інструменту SDS Plus **6**.
2. Вставте безключовий патрон **14** на шпindelь та поверніть затискну муфту **13** у положення блокування.

Щоб замінити безключовий патрон на тримач інструменту SDS Plus, спочатку зніміть безключовий патрон так само, як знімається тримач інструменту. Потім замініть тримач інструменту таким самим чином, як встановлювався безключовий патрон, не забуваючи встановлювати затискну муфту у положення блокування.



**УВАГА!** Ніколи не використовуйте стандартні патрони в режимі ударного свердління.

## Заміна пилозахисної кришки (рис. А)

Пилозахисна кришка **11** захищає механізм від потрапляння пилю. Зношену пилозахисну кришку потрібно замінювати негайно.

1. Потягніть назад муфту тримача інструменту **10** та зніміть пилозахисну кришку **11**.
2. Встановіть нову пилозахисну кришку.
3. Відпустіть затискну муфту тримача інструменту.

## РОБОТА

### Інструкції з використанням



**УВАГА!** Завжди дотримуйтесь всіх інструкцій з техніки безпеки та відповідних норм.



**УВАГА!** Щоб знизити ризик серйозних травм, вимкніть інструмент та відключіть його від мережі живлення перед виконанням будь-яких налаштувань або зніманням/встановленням насадок або аксесуарів. Переконайтесь, що вимикач знаходиться в положенні Вимк. Випадковий запуск може призвести до травм.



### УВАГА!

- Завжди дотримуйтесь всіх інструкцій з техніки безпеки та відповідних норм.
- Стежте за розташуванням труб та проводки.
- Застосовуйте лише м'який тиск на інструмент (приблизно 5 кг). Надмірне зусилля не прискорює свердління, але знижує продуктивність інструменту та може скоротити його термін служби.
- Не свердліть та не занурюйте інструмент занадто глибоко в матеріал, щоб уникнути пошкодження пилозахисної кришки.
- Завжди міцно тримайте інструмент обома руками та стежте за безпечним положенням ніг (рис. І). Завжди використовуйте інструмент із правильно встановленою боковою ручкою.

## Вірне положення рук (рис. І)



**УВАГА!** Щоб знизити ризик серйозних травм, **ЗАВЖДИ** правильно розташуйте руки, як показано.



**УВАГА!** Щоб знизити ризик серйозних травм, **ЗАВЖДИ** добре тримайте інструмент, щоб попередити випадкову віддачу.

При правильному положенні рук необхідно одну руку тримати на боковій ручці **8**, а іншу - на основній ручці **2**.

## Увімкнення/вимкнення (рис. А)

1. Щоб запустити інструмент, натисніть на вимикач-регулятор змінної швидкості **1**. Тиск на перемикач змінної швидкості визначає швидкість інструменту.
2. Для безперервної роботи натисніть та утримуйте натисненим перемикач змінної швидкості.
3. Щоб зупинити інструмент, відпустіть вимикач.

## Ударне свердління (рис. А)

### Свердління з використанням твердого бура

1. Натисніть кнопку селектору режиму **5**, а потім поверніть селектор режимів **4** так, щоб він вказував на положення «ударне свердління».
2. Вставте відповідний свердел.  
**ПРИМІТКА.** Для кращого результату використовуйте високоякісні бури з твердосплавною пластиною.
3. Встановіть бокову ручку **8** у необхідне положення.
4. За необхідності встановіть глибину свердління.
5. Помітьте місце, в якому потрібно просвердлити отвір.
6. Помістіть кінець свердла в це місце та увімкніть інструмент.
7. Завжди вимикайте інструмент, коли робота завершена, та перед відключенням від мережі живлення.

## Свердління з використанням коронки для буріння

1. Натисніть кнопку селектору режиму **5**, а потім поверніть селектор режимів **4** так, щоб він вказував на положення «ударне свердління».
2. Встановіть бокову ручку **8** у необхідне положення.
3. Вставте відповідну коронку для буріння.
4. Вставте центрувальний свердел у коронку.
5. Помістіть кінець центрувального свердла на помічену точку і натисніть перемикач Увімк./Вимк. **1**. Свердліть до тих пір, поки коронка не заглибиться у бетон приблизно на 1 см.
6. Зупиніть свердління та зніміть центрувальний свердел. Помістіть коронку знову в отвір та продовжуйте свердління.
7. При свердлінні конструкції, товщина якої перевищує глибину коронки, регулярно видаляйте висвердлені кругові циліндри бетону або бетон, що заповнив коронку всередині. Для уникнення небажаного руйнування бетону біля отвору, спочатку просвердліть наскрізний отвір центрувальним сверделом. Потім коронкою просвердліть отвір на половину з кожного боку.
8. Завжди вимикайте інструмент, коли робота завершена, та перед відключенням від мережі живлення.

## Роторне свердління (рис. А)

1. Натисніть кнопку селектору режиму **5**, а потім поверніть селектор режимів **4** так, щоб він вказував на положення «роторне свердління».
2. Виконайте наступні інструкції, що стосуються вашої моделі інструменту:
  - **D25032, D25033, D25133, D25143, D25263:** встановіть адаптер патрону/патрон.
  - **D25134, D25144:** замініть тримач інструменту SDS Plus безключовим патроном.
3. Виконайте кроки, описані для ударного свердління.



**УВАГА!** Ніколи не використовуйте стандартні патрони в режимі ударного свердління.

## Використання в якості шурупокрута (рис. А)

1. Натисніть кнопку селектору режиму **5**, а потім поверніть селектор режимів **4** так, щоб він вказував на положення «роторне свердління».
2. Виберіть напрямок обертання.
3. Виконайте наступні інструкції, що стосуються вашої моделі інструменту:
  - **D25032, D25033, D25133, D25143, D25263:** вставте спеціальний адаптер для шурупокрута SDS для використання шестигранної насадки-викрутки.
  - **D25134, D25144:** замініть тримач інструменту SDS Plus безключовим патроном

4. Вставте відповідну насадку-викрутку. При закручуванні гвинтів зі шліцьовою голівкою, завжди використовуйте насадку з напрямляючою.
5. Злегка натискайте на перемикач змінної швидкості **1**, щоб уникнути пошкодження голівки гвинта. При увімкненні реверса (обертання ліво) швидкість інструменту автоматично зменшується для легкого викручування гвинтів.
6. Коли гвинт буде закручений урівень з поверхнею заготовки, відпустіть перемикач змінної швидкості, щоб голівка гвинта не ввійшла у заготовку.

## Дроблення і довбання (рис. А)

### D25033, D25133, D25134, D25143, D25144, D25263

1. Натисніть кнопку селектору режиму **5**, а потім поверніть селектор режимів **4** так, щоб він вказував на положення «лише довбання».
2. Вставте відповідне долото та поверніть його рукою для заблокування у певному положенні.
3. Встановіть бокову ручку **8** у необхідне положення.
4. Увімкніть інструмент та почніть роботу.
5. Завжди вимикайте інструмент, коли робота завершена, та перед відключенням від мережі живлення.



### УВАГА!

- Не використовуйте цей інструмент для змішування та відкачування легкозаймистих або вибухонебезпечних рідин (бензин, спирт, тощо).
- Не змішуйте та не перемішуйте легкозаймисті рідини з відповідною поміткою.

## ТЕХНІЧНЕ ОБСЛУГОВУВАННЯ



Ваш інструмент виробництва компанії DeWALT призначений для роботи протягом довгого часу з мінімальним обслуговуванням. Довга задовільна робота приладу залежить від належного обслуговування приладу та регулярного його очищення. **УВАГА!** Щоб знизити ризик серйозних травм, вимкніть інструмент та відключіть його від мережі живлення перед виконанням будь-яких налаштувань або зміннянн/встановленням насадок або аксесуарів.

Переконайтесь, що вимикач знаходиться в положенні Вимк. Випадковий запуск може призвести до травм.

- Цей пристрій не обслуговується користувачем. Надайте інструмент для обслуговування в офіційний сервісний центр DeWALT приблизно через 40 годин використання. Якщо проблеми виникають до цього часу зверніться в офіційний сервісний центр DeWALT.
- Інструмент автоматично вимкнеться при зношенні вугільних щіток.

## Щітки мотору

Компанія DeWALT використовує покращену систему щіток, яка автоматично зупиняє дріль при зношенні щіток. Це

дозволяє уникнути серйозного пошкодження мотору. Нові щітки можна придбати в офіційному сервісному центрі компанії DEWALT. Завжди використовуйте змінні деталі, ідентичні оригінальним.



## Змащування

Ваш електричний інструмент не вимагає додаткового змащування.

Аксесуари та насадки потрібно регулярно змащувати у місці встановлення SDS Plus.



## Очищення



**УВАГА!** *Видувайте бруд та пил зсередини основного корпусу за допомогою сухого повітря, коли пил та бруд стають помітними та починають збиратися біля вентиляційних отворів. Використовуйте рекомендовані засоби захисту органів зору та рекомендовану протипилову маску при виконанні цієї операції.*



**УВАГА!** *Ніколи не використовуйте розчинники та інші різкі хімікати для очищення неметалевих деталей інструменту. Ці хімічні речовини можуть послабити матеріали, що використовуються для цих деталей. Використовуйте вологу ганчірку, змочену лише водою з м'яким милом. Не дозволяйте рідині потрапляти всередину інструменту та ніколи не занурюйте деталі інструменту в рідину.*

## Додаткові аксесуари



**УВАГА!** *Через те, що інші аксесуари, що не рекомендовані компанією DEWALT не були перевірені з цим продуктом, використання таких аксесуарів з цим інструментом може бути небезпечним. Щоб знизити ризик травми, використовуйте лише аксесуари, рекомендовані компанією DEWALT.*

Можна додатково придбати різні типи свердел та долота SDS Plus.

Зверніться до свого дилера для отримання подальшої інформації щодо відповідних аксесуарів.

## Захист навколишнього середовища



Роздільний збір. Пристрої та батареї, позначені цим символом, не можна викидати зі звичайним побутовим сміттям.

Пристрої та батареї містять матеріали, які можна відновити та переробити, що зменшить потребу у сировині. Будь ласка, віддавайте електричні інструменти та батареї на переробку відповідно до місцевих постанов. Більш детальну інформацію можна отримати на сайті [www.2helpU.com](http://www.2helpU.com).



Виробник:  
"Stanley Black & Decker Deutschland GmbH" Black-&-Decker Str.40, D-65510 Idstein, Німеччина



ГАРАНТІЙНИЙ ТАЛОН

**3 РОКИ**  
ГАРАНТІЇ

1. Вітаємо Вас з покупкою високоякісного виробу DEWALT і висловлюємо вдячність за Ваш вибір.
2. При покупці виробу вимагайте перевірки його комплектності і справності у Вашій присутності, інструкцію з експлуатації та заповнений гарантійний талон українською мовою. В гарантійному талоні повинні бути внесені: модель, дата продажу, серійний номер, дата виробництва інструменту, назва, печатка і підпис торгової організації. За відсутності у Вас правильно заповненого гарантійного талону, а також при невідповідності зазначених у ньому даних ми будемо змушені відхилити Ваші претензії щодо якості даного виробу.
3. Щоб уникнути непорозумінь, переконливо просимо Вас перед початком роботи з виробом уважно ознайомитися з інструкцією з його експлуатації. Правовою основою справжніх гарантійних умов є чинне Законодавство. Гарантійний термін на даний виріб складає 36 місяці і обчислюється з дня продажу. У разі усунення недоліків виробу, гарантійний строк продовжується на період його перебування в ремонті. Термін служби виробу становить 5 років з дня продажу.
4. У разі виникнення будь-яких проблем у процесі експлуатації виробу рекомендуємо Вам звертатися тільки в уповноважені сервісні центри DEWALT, адреси та телефони яких Ви зможете знайти в гарантійному талоні, на сайті [www.2helpU.com](http://www.2helpU.com) або дізнатися в магазині. Наші сервісні станції - це не тільки кваліфікований ремонт, але і широкий асортимент запчастин і аксесуарів.
5. Виробник рекомендує проводити періодичну перевірку і технічне обслуговування виробу в уповноважених сервісних центрах.
6. Наші гарантійні зобов'язання поширюються тільки на несправності, виявлені протягом гарантійного терміну і викликані дефектами виробництва та \ або матеріалів.
7. Гарантійні умови не поширюються на несправності виробу, що виникли в результаті:
  - 7.1. Недотримання користувачем приписів інструкції з експлуатації виробу, застосування виробу не за призначенням, неправильного зберігання, використання приладдя, витратних матеріалів і запчастин, що не передбачені виробником.
  - 7.2. Механічного пошкодження (відколи, тріщини і руйнування) внутрішніх і зовнішніх деталей виробу, основних і допоміжних рукояток, мережевого кабелю, що викликані зовнішнім ударним або будь-яким іншим впливом
  - 7.3. Потраплення у вентиляційні отвори та проникнення всередину виробу сторонніх предметів, матеріалів або речовин, що не є відходами, які супроводжують застосування виробу за призначенням, такими як: стружка, тирса, пісок, та ін.
  - 7.4. Впливу на виріб несприятливих атмосферних і інших зовнішніх факторів, таких як дощ, сніг, підвищена вологість, нагрівання, агресивні середовища, невідповідність параметрів електромережі, що зазначені на інструменті.
  - 7.5. Стихійного лиха. Пошкодження або втрати виробу, що пов'язані з непередбаченими лихами, стихійними явищами, у тому числі внаслідок дії непереборної сили (пожежа, блискавка, потоп і інші природні явища), а також внаслідок перепадів напруги в електромережі та іншими причинами, які знаходяться поза контролем виробника.
8. Гарантійні умови не поширюються:
  - 8.1. На інструменти, що піддавались розкриттю, ремонту або модифікації поза уповноваженим сервісним центром.
  - 8.2. На деталі, вузли та матеріали, що мають сліди природного зносу, такі як: приводні ремені і колеса, вугільні щітки, мастило, підшипники, зубчасті зчеплення редукторів, гумові ущільнення, сальники, направляючі ролики, муфти, вимикачі, бойки, штовхачі, стволи тощо.
  - 8.3. На змінні частини: патрони, цанги, затискні гайки і фланці, фільтри, ножі, шліфувальні підшови, ланцюги, зірочки, пильні шини, захисні кожухи, пилки, абразиви, пильні і абразивні диски, фрези, свердла, бури тощо
  - 8.4. На несправності, що виникли в результаті перевантаження інструменту (як механічного, так і електричного), що спричинили вихід з ладу одночасно двох і більше деталей і вузлів, таких як: ротора і статора, обох обмоток статора, веденої і ведучої шестерень редуктора або інших вузлів і деталей. До безумовних ознак перевантаження виробу відносяться, крім інших: поява кольорів млиновості, деформація або оплывлення деталей і вузлів виробу, потемніння або обуглювання ізоляції проводів електродвигуна під впливом високої температури.

Товар отриманий в справному стані, без видимих ушкоджень, в повній комплектації, перевірений у моїй присутності, претензій щодо якості товару не маю. З умовами гарантійного обслуговування ознайомлений і згоден.

П. І. Б. та підпис власника

---

**Шановні клієнти, наша мережа авторизованих сервісних центрів постійно розширюється. Актуальну інформацію про обслуговування в місті, що цікавить вас, ви можете дізнатися на сайті**

**[www.2helpU.com](http://www.2helpU.com)**

## Інформація про інструмент

Найменування інструменту	
Модель	
Найменування продавця	
Дата продажу	

М.П.  
Продавця

## Серійний номер/Дата виробництва

Інструмент	
Зарядний пристрій	
Акумулятор 1	
Акумулятор 2	

На сайті [www.2helpU.com](http://www.2helpU.com) доступні наступні функції:

- Список авторизованих сервісних центрів
- Зручний пошук найближчого сервісного центру
- Керівництво з експлуатації
- Технічні характеристики
- Список деталей і запасних частин
- Схема складання інструменту



Також дану інформацію ви можете отримати,  
зателефонувавши за номером:  
**0 (800) 211 521** в Україні

## ВІДМІТКА ПРО ПРОВЕДЕННЯ СЕРВІСНОГО ОБСЛУГОВУВАННЯ

№1	№2	№3	№4
№ замовлення	№ замовлення	№ замовлення	№ замовлення
Дата прийому	Дата прийому	Дата прийому	Дата прийому
Дата ремонту	Дата ремонту	Дата ремонту	Дата ремонту
Печатка і підпис сервісного центру	Печатка і підпис сервісного центру	Печатка і підпис сервісного центру	Печатка і підпис сервісного центру